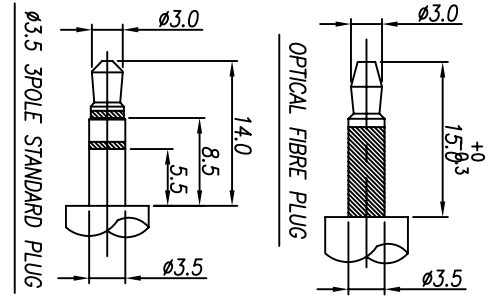
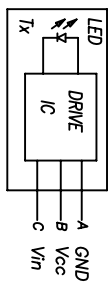
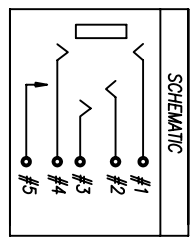
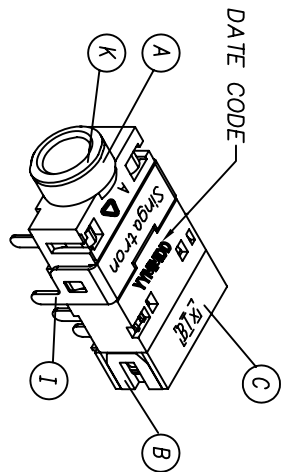
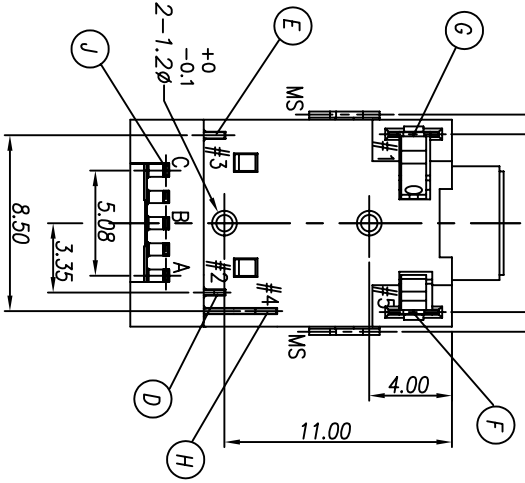
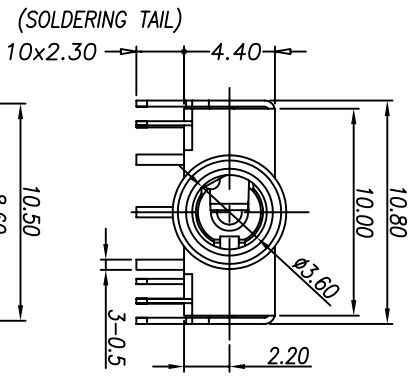
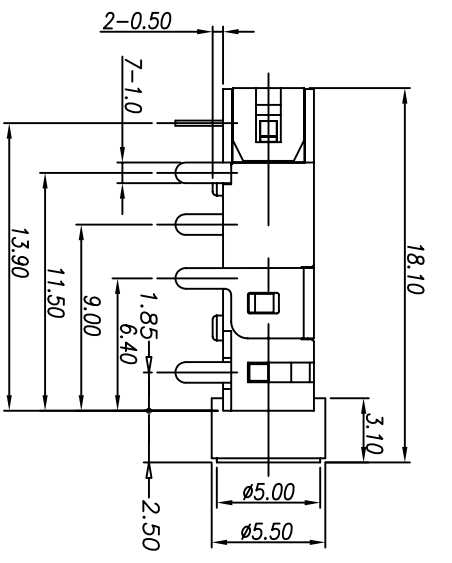


- SPECIFICATIONS:**
- ELECTRICAL CHARACTERISTICS:**
 - 1-1. RATING: 12V 1A
 - 1-2. CONTACT RESISTANCE: 30mΩ MAX (BEFORE)
 - 1-3. DIELECTRIC VOLTAGE WITHSTAND: 500V AC FOR ONE MINUTE
 - 1-4. INSULATION RESISTANCE: 100M Ω MIN. MEASURED BY 500 VDC
 - MECHANICAL CHARACTERISTICS:**
 - 2-1. INSERTED FORCE : 3.5 KGS MAX.
 - 2-2. WITHDRAWAL FORCE : 0.3~4.0 KGS

3. LIFE TEST: 5,000 CYCLES MIN.
4. PACKAGING: TAPE & REEL
5. TO CONFORM TO THE SINGATRON HSF SPEC.
6. GREEN PRODUCT IDENTIFICATION MARK ON JACK:
7. GREEN PRODUCT IDENTIFICATION LABEL ON PACKAGING:
8. FOR LEAD-FREE PROCESS.



G.P. PASS

DATE CODE

REV.	ECN NO. OR DESCRIPTION	REVISED	DATE
A	PRODUCT RELEASED	AMY	2007.12.20

RECOMMENDED PCB LAYOUT
SOLDER SIDE

K	METAL	1	BRASS	GOLD FLASH
J	IC DRIVE	1	EPOXY	TIN PLATING (Lead-Free)
I	SHIELDING	1	COPPER ALLOY	N/A
H	EARTH SPRING-A	1	PHOSPHOR BRONZE	GOLD FLASH
G	EARTH SPRING-B	1	PHOSPHOR BRONZE	GOLD FLASH
F	EARTH TERMINAL	1	PHOSPHOR BRONZE	GOLD FLASH
E	TIP SPRING	1	PHOSPHOR BRONZE	GOLD FLASH
D	RING SPRING	1	PHOSPHOR BRONZE	GOLD FLASH
C	CASE	1	HIGH TEMP THERMOPLASTIC UL 94V-0	BLACK COLOR
B	COVER	1	HIGH TEMP THERMOPLASTIC UL 94V-0	BLACK COLOR
A	BODY	1	HIGH TEMP THERMOPLASTIC UL 94V-0	BLACK COLOR
NO	DESCRIPTION	QTY	MATERIAL	PLATING & COLOR

UNLESS OTHERWISE SPECIFIED TOLERANCES

Singatron Enterprise Co., Ltd.
信營企業股份有限公司

DECIMALS: ANGLES:

X : ±0.5 X : ±2°
X.X : ±0.3 X.X : ±1°
X.XX : ±0.2

TITLE: Ø3.5 PHONE JACK (WITH IC)

DWN: MW 2007.12.20 PART NO. 2SJ-A373-B52
CHKD: LW 2007.12.20 SCALE: 4/1 UNIT: mm
APVD: MACHA 2007.12.20 SIZE: A3 SHEET: 1 OF 1 REV: A

CUSTOMER COPY