
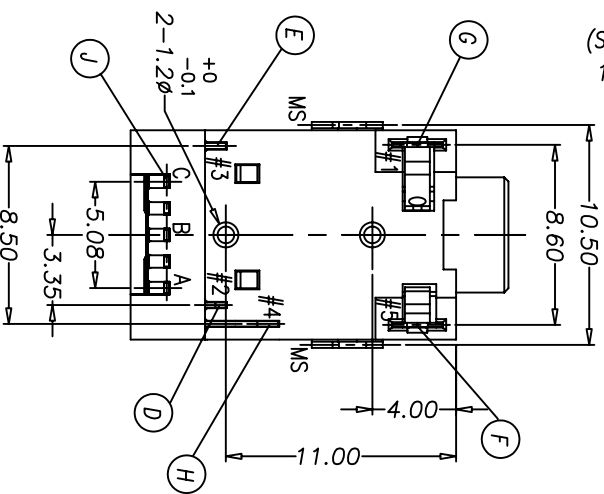
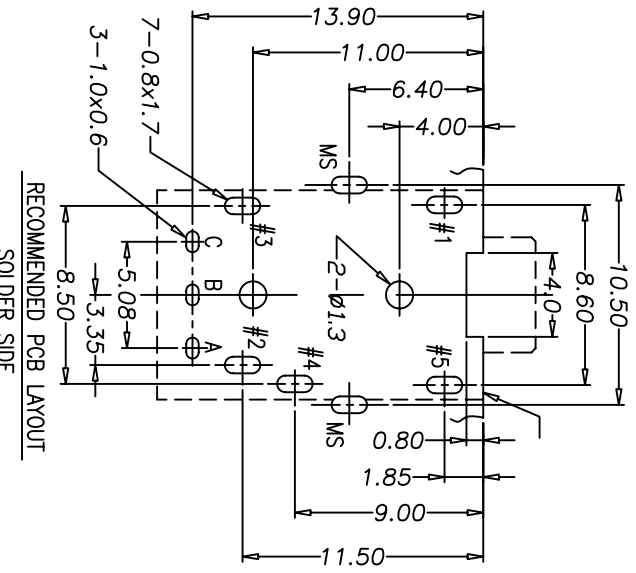
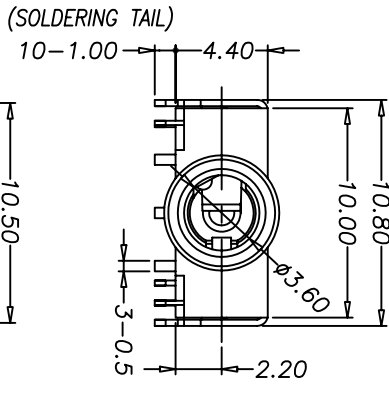
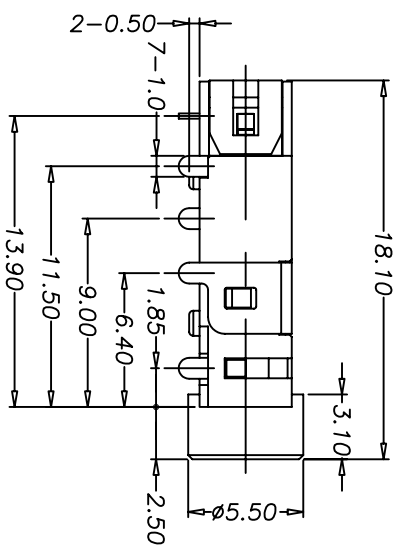
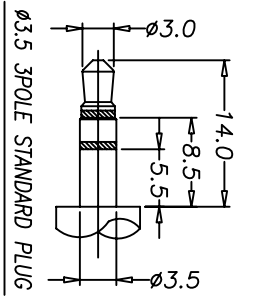
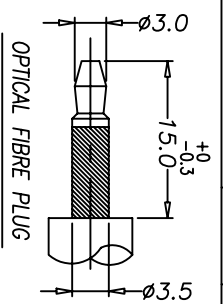
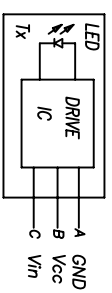
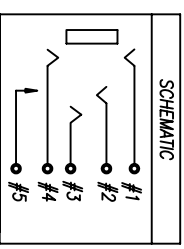
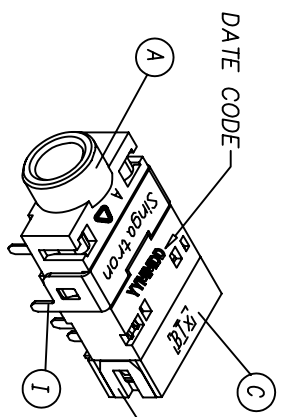


- SPECIFICATIONS:
- ELECTRICAL CHARACTERISTICS:
    - RATING: 12V 1A
    - CONTACT RESISTANCE: 30mΩ MAX (BEFORE)
    - DIELECTRIC VOLTAGE WITHSTAND: 500V AC FOR ONE MINUTE
    - INSULATION RESISTANCE: 100M Ω MIN. MEASURED BY 500 VDC
  - MECHANICAL CHARACTERISTICS:
    - INSERTED FORCE : 3.5 KGS MAX.
    - WITHDRAWAL FORCE : 0.3~4.0 KGS

- LIFE TEST: 5,000 CYCLES MIN.
- PACKING: TAPE & REEL
- TO CONFORM TO THE "SE-01-001" & "ROHS DIRECTIVE"
- GREEN PRODUCT IDENTIFICATION MARK IN JACK: 
- GREEN PRODUCT IDENTIFICATION LABEL IN PACKING: **G.P. PASS**
- FOR LEAD-FREE PROCESS.



REV.	ECN NO.	OR DESCRIPTION	REVISED	DATE
F	ECN NO.1060293	LAO	2006.09.05	
G	ECN NO.1070037	JACKY	2007.02.14	
H	ECN NO.1070223	BERYL	2007.7.31	
I	ECN NO.1070173	LAO	2007.09.05	



RECOMMEND MATING PLUG  
1/2 SCALE

NO	DESCRIPTION	QTY	MATERIAL	PLATING & COLOR
J	IC DRIVE	1	EPOXY/CDA-C19400	TIN PLATING (Lead-Free)
I	SHIELDING	1	COPPER ALLOY	N/A
H	EARTH SPRING-A	1	PHOSPHOR BRONZE	GOLD FLASH
G	EARTH SPRING-B	1	PHOSPHOR BRONZE	GOLD FLASH
F	EARTH TERMINAL	1	PHOSPHOR BRONZE	GOLD FLASH
E	TIP SPRING	1	PHOSPHOR BRONZE	GOLD FLASH
D	RING SPRING	1	PHOSPHOR BRONZE	GOLD FLASH
C	CASE	1	HIGH TEMP THERMOPLASTIC UL 94V-0	BLACK COLOR
B	COVER	1	HIGH TEMP THERMOPLASTIC UL 94V-0	BLACK COLOR
A	BODY	1	HIGH TEMP THERMOPLASTIC UL 94V-0	BLACK COLOR
NO	DESCRIPTION	QTY	MATERIAL	PLATING & COLOR

UNLESS OTHERWISE SPECIFIED TOLERANCES

DECIMALS: ANGLES:

X ±0.5 X ±2°  
X.X ±0.3 X.X ±1'  
X.XX ±0.2

TITLE: Ø3.5 PHONE JACK (WITH IC)

DWN: UN 20035  
CHKD: ME3A 20035  
APVD: ME3A 20035

SCALE: 4/1 UNIT: mm

SIZE: A3 SHEET: 1 OF 1 REV: I

CUSTOMER COPY

Singatron Enterprise Co., Ltd.  
信音企業股份有限公司