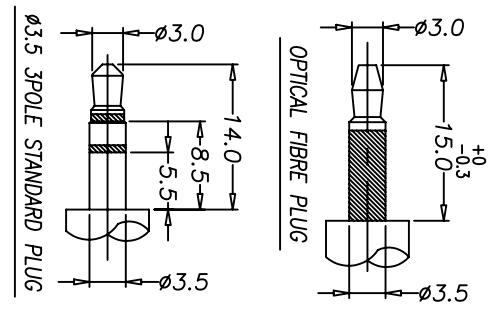
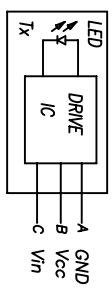
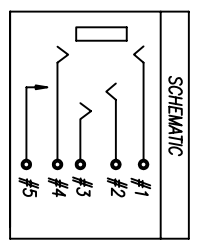
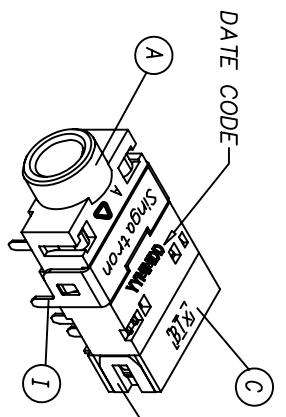
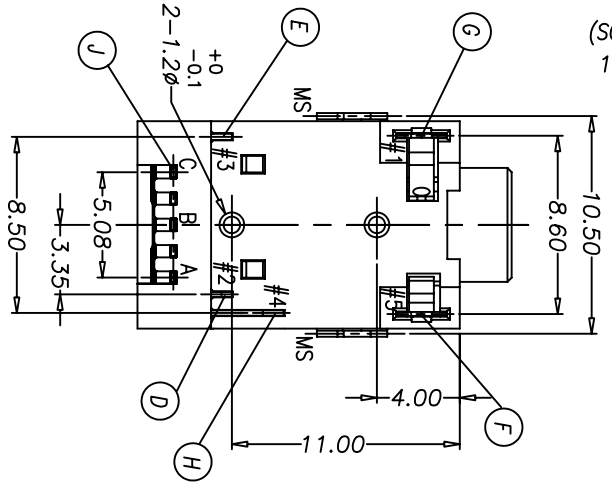
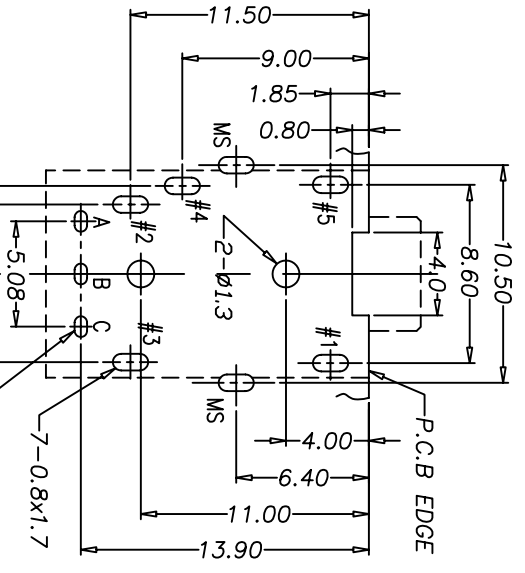
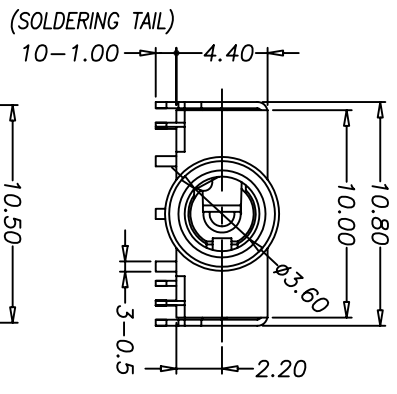
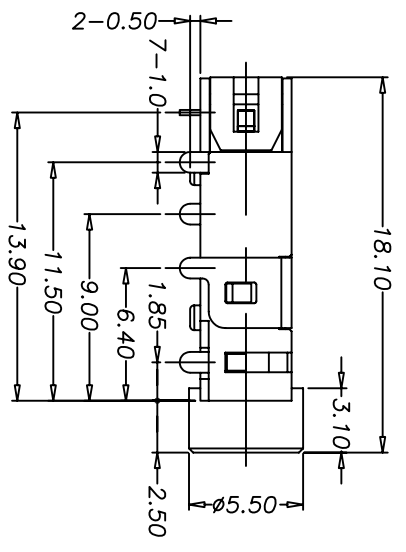


1. ELECTRICAL CHARACTERISTICS:
 1-1. RATING: 12V 1A
 1-2. CONTACT RESISTANCE: 30mΩ MAX (BEFORE)
 1-3. DIELECTRIC VOLTAGE WITHSTAND: 500V AC FOR ONE MINUTE
 1-4. INSULATION RESISTANCE: 100M Ω MIN. MEASURED BY 500VDC

2. MECHANICAL CHARACTERISTICS:
 2-1. INSERTED FORCE: 3.5 KGS MAX.
 2-2. WITHDRAWAL FORCE: 0.3~4.0 KGS

3. LIFE TEST: 5,000 CYCLES MIN.
 4. PACKING: TAPE & REEL
 5. TO CONFORM TO THE SINGATRON HSF SPEC.
 6. GREEN PRODUCT IDENTIFICATION MARK ON JACK:
 7. GREEN PRODUCT IDENTIFICATION LABEL ON PACKAGING:
 8. FOR LEAD-FREE PROCESS.



REV.	ECN NO.	OR DESCRIPTION	REVISED	DATE
B	ECN NO.1070353		LMAO	2007.12.28

J	IC DRIVE	1	EPOXY/CDA-C19400	TIN PLATING (Lead-Free)
I	SHIELDING	1	COPPER ALLOY	N/A
H	EARTH SPRING-A	1	PHOSPHOR BRONZE	GOLD FLASH
G	EARTH SPRING-B	1	PHOSPHOR BRONZE	GOLD FLASH
F	EARTH TERMINAL	1	PHOSPHOR BRONZE	GOLD FLASH
E	TIP SPRING	1	PHOSPHOR BRONZE	GOLD FLASH
D	RING SPRING	1	PHOSPHOR BRONZE	GOLD FLASH
C	CASE	1	HIGH TEMP THERMOPLASTIC UL 94V-0	BLACK COLOR
B	COVER	1	HIGH TEMP THERMOPLASTIC UL 94V-0	BLACK COLOR
A	BODY	1	HIGH TEMP THERMOPLASTIC UL 94V-0	GREEN SERIES(3415C)
NO	DESCRIPTION	QTY	MATERIAL	PLATING & COLOR

UNLESS OTHERWISE SPECIFIED TOLERANCES

DECIMALS: ANGLES:

X :±0.5 X :±2
 X.X :±0.3 X.X :±1°
 X.XX :±0.2

Singatron Enterprise Co., Ltd.
 信營企業股份有限公司

TITLE: Ø3.5 PHONE JACK (WITH IC)

DWN: LMO 2007.12.28 PART NO. 2SI-A373-E03
 CHKD: LMO 2007.12.28 SCALE: 4/1 UNIT: mm
 APVD: LMO 2007.12.28 SIZE: A3 SHEET: 1 OF 1 REV: B

CUSTOMER COPY