

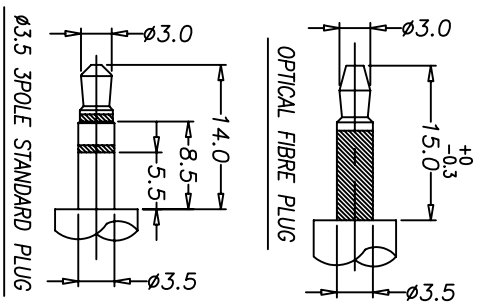
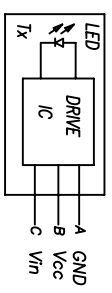
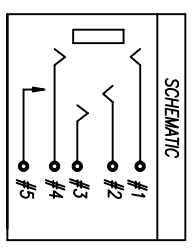
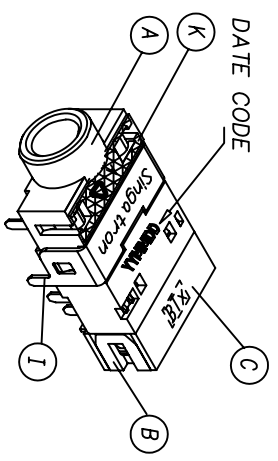
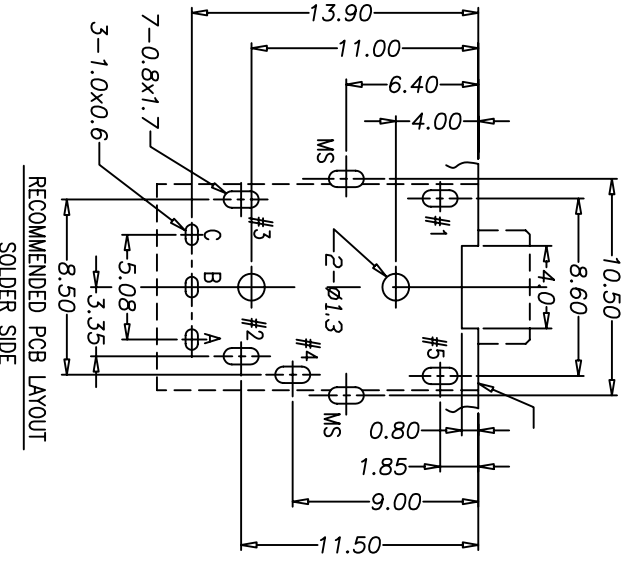
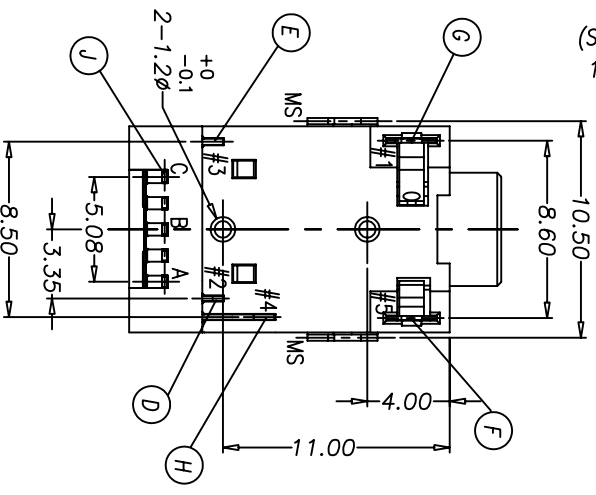
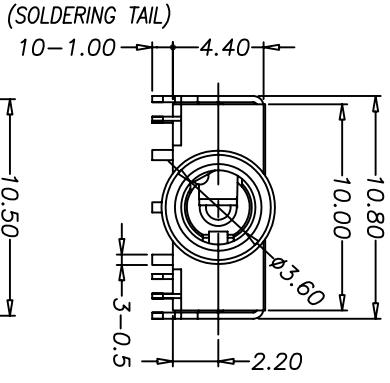
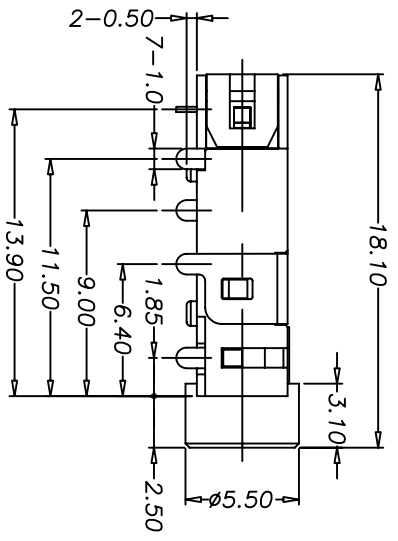


SPECIFICATIONS:

- 1. ELECTRICAL CHARACTERISTICS:**
 1-1. RATING: 12V 1A
 1-2. CONTACT RESISTANCE: 30mΩ MAX (BEFORE)
 1-3. DIELECTRIC VOLTAGE WITHSTAND: 500V AC FOR ONE MINUTE
 1-4. INSULATION RESISTANCE: 100M Ω MIN. MEASURED BY 500 VDC
- 2. MECHANICAL CHARACTERISTICS:**
 2-1. INSERTED FORCE: 3.5 KGS MAX.
 2-2. WITHDRAWAL FORCE: 0.3~4.0 KGS

3. LIFE TEST: 5,000 CYCLES MIN.
 4. PACKING: TAPE & REEL
 5. TO CONFORM TO THE SINGATRON HSF SPECIFICATION.
 6. GREEN PRODUCT IDENTIFICATION MARK ON JACK: 
 7. GREEN PRODUCT IDENTIFICATION LABEL ON PACKING: 
 8. FOR LEAD-FREE PROCESS.



RECOMMEND MATING PLUG
 1:2 SCALE

REV.	ECN NO. OR DESCRIPTION	REVISED	DATE
A	PDR NO.1080529-1A	Micky	2008.06.10

K	INSULATION FILM	1	MYLAR	N/A
J	IC DRIVE	1	EPOXY/CDA-C19400	TIN PLATING (Lead-Free)
I	SHIELDING	1	COPPER ALLOY	N/A
H	EARTH SPRING-A	1	PHOSPHOR BRONZE	GOLD FLASH
G	EARTH SPRING-B	1	PHOSPHOR BRONZE	GOLD FLASH
F	EARTH TERMINAL	1	PHOSPHOR BRONZE	GOLD FLASH
E	TIP SPRING	1	PHOSPHOR BRONZE	GOLD FLASH
D	RING SPRING	1	PHOSPHOR BRONZE	GOLD FLASH
C	CASE	1	HIGH TEMP THERMOPLASTIC UL 94V-0	BLACK COLOR
B	COVER	1	HIGH TEMP THERMOPLASTIC UL 94V-0	BLACK COLOR
A	BODY	1	HIGH TEMP THERMOPLASTIC UL 94V-0	BLACK COLOR
NO	DESCRIPTION	QTY	MATERIAL	PLATING & COLOR

UNLESS OTHERWISE SPECIFIED TOLERANCES

Singatron Enterprise Co., Ltd.
 信登企業股份有限公司

DECIMALS: ANGLES:
 X :±0.5 X :±2°
 X.X :±0.3 X.X :±1°
 X.XX :±0.2

TITLE: Ø3.5 PHONE JACK (WITH IC)
 DWG: PRT NO. 2S1-A373-B04
 CHKD: SCALE: 4:1 UNIT: mm
 APVD: SIZE: A3 SHEET: 1 OF 1 REV: A

CUSTOMER COPY