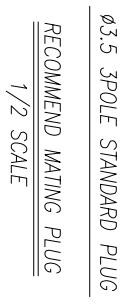
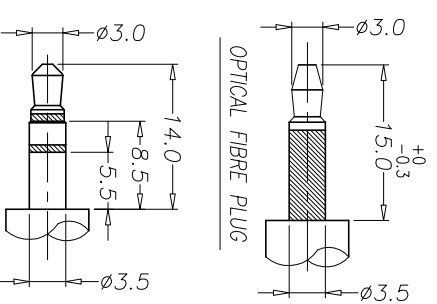
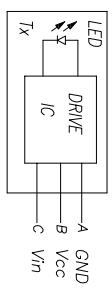
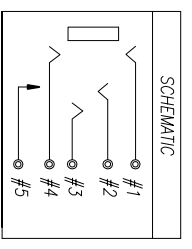
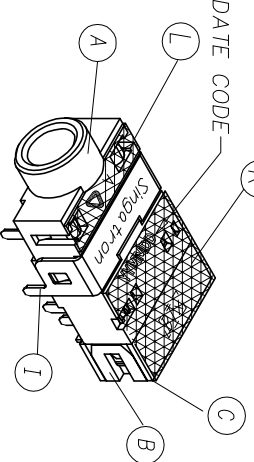
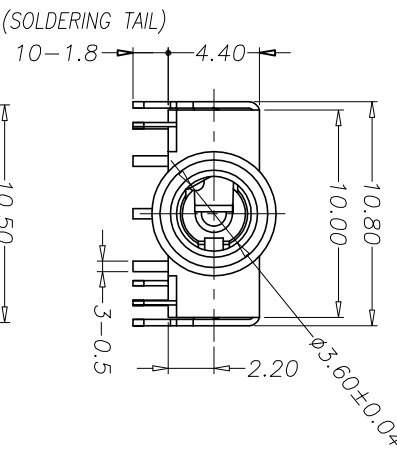
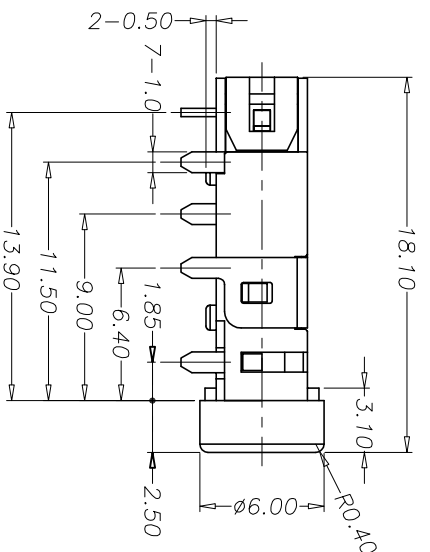


- SPECIFICATIONS:**
- ELECTRICAL CHARACTERISTICS:**
    - 1-1. RATING: 12V 1A
    - 1-2. CONTACT RESISTANCE: 30mΩ MAX(INITIAL).
    - 1-3. DIELECTRIC VOLTAGE WITHSTAND: 500V AC FOR ONE MINUTE
    - 1-4. INSULATION RESISTANCE: 100MΩ MIN. MEASURED BY 500 VDC
  - MECHANICAL CHARACTERISTICS:**
    - 2-1. INSERTED FORCE : 3.5 KGS MAX.
    - 2-2. WITHDRAWAL FORCE : 0.3~4.0 KGS

3. LIFE TEST: 5,000 CYCLES MIN.
4. PACKAGING: TAPE & REEL
5. TO CONFORM TO SINGATRON HAZARDOUS SUBSTANCE FREE SPEC
6. GREEN PRODUCT IDENTIFICATION MARK ON JACK
7. GREEN PRODUCT IDENTIFICATION LABEL ON PACKING:
8. FOR LEAD-FREE PROCESS.



REV.	ECN NO.	OR DESCRIPTION	REVISED	DATE
C	ECN NO.:T060332	LAO	2006.11.20	
D	ECN NO.:T070223	BERRY	2007.7.31	
E	ECN NO.:T070173	LAO	2007.09.05	
F	ECN NO.:S080509	Sly	2008.05.08	
G	ECN NO.:S090324	Sidrey	2009.03.31	

L	INSULATION FILM	1	MYLAR(L10*W2.0)	YELLOW
K	INSULATION FILM	1	MYLAR(L9.5*W8)	YELLOW
J	IC DRIVE	1	EPOXY	TIN PLATING (Lead-Free)
I	SHIELDING	1	COPPY ALLOY	N/A
H	EARTH SPRING-A	1	PHOSPHOR BRONZE	GOLD FLASH OVER IN 500" Min
G	EARTH SPRING-B	1	PHOSPHOR BRONZE	GOLD FLASH OVER IN 500" Min
F	EARTH TERMINAL	1	PHOSPHOR BRONZE	GOLD FLASH OVER IN 500" Min
E	TIP SPRING	1	PHOSPHOR BRONZE	GOLD FLASH OVER IN 500" Min
D	RING SPRING	1	PHOSPHOR BRONZE	GOLD FLASH OVER IN 500" Min
C	CASE	1	HIGH TEMP THERMOPLASTIC UL 94V-0	BLACK
B	COVER	1	HIGH TEMP THERMOPLASTIC UL 94V-0	BLACK
A	BODY	1	HIGH TEMP THERMOPLASTIC UL 94V-0	BLACK
NO	DESCRIPTION	QTY	MATERIAL	PLATING & COLOR

UNLESS OTHERWISE SPECIFIED TOLERANCES

DECIMALS: ANGLES:

X : ±0.50 X : ±2°  
 X.X : ±0.35 X.X : ±1°  
 X.XX : ±0.25

Singatron Enterprise Co., Ltd.  
 信登企業股份有限公司

φ3.5 PHONE JACK (WITH IC)

DWN Siny 2009.03.31 PART NO. 2SJ-A373-H01

CHKD Lussan 2009.04.07 SCALE: 4:1 UNIT: mm

APVD Max 2009.04.08 SIZE: A3 SHEET: 1 OF 1 REV:G

CUSTOMER COPY

A B C D E F

1 2 3 4 5 6 7 8