

SPECIFICATIONS:

1. ELECTRICAL CHARACTERISTICS:

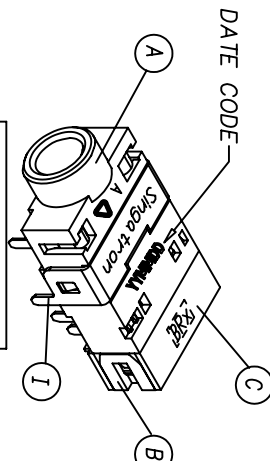
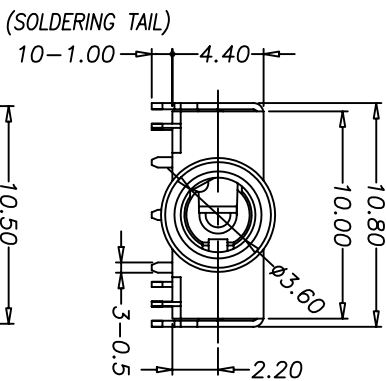
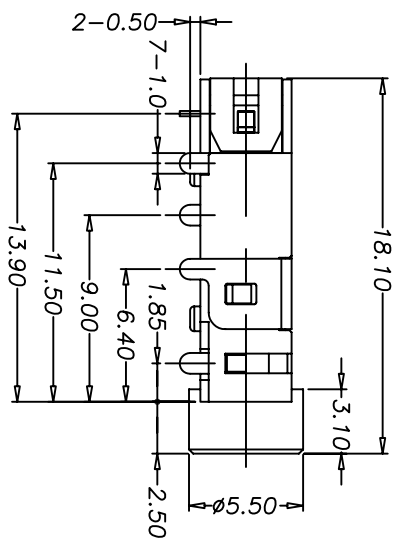
- 1-1. RATING: 12V 1A
- 1-2. CONTACT RESISTANCE: 30mΩ MAX (BEFORE)
- 1-3. DIELECTRIC VOLTAGE WITHSTAND: 500V AC FOR ONE MINUTE
- 1-4. INSULATION RESISTANCE: 100M Ω MIN. MEASURED BY 500 VDC

2. MECHANICAL CHARACTERISTICS:

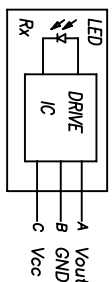
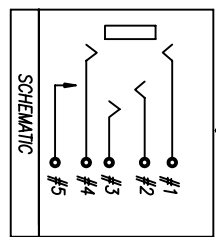
- 2-1. INSERTED FORCE : 3.5 KGS MAX.
- 2-2. WITHDRAWAL FORCE : 0.3~4.0 KGS

3. LIFE TEST: 5,000 CYCLES MIN.

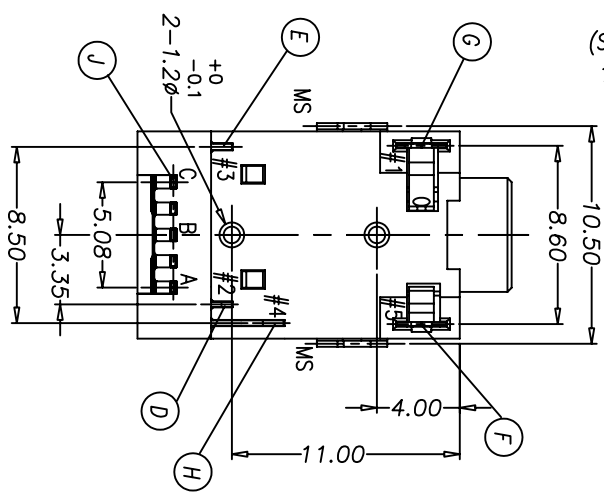
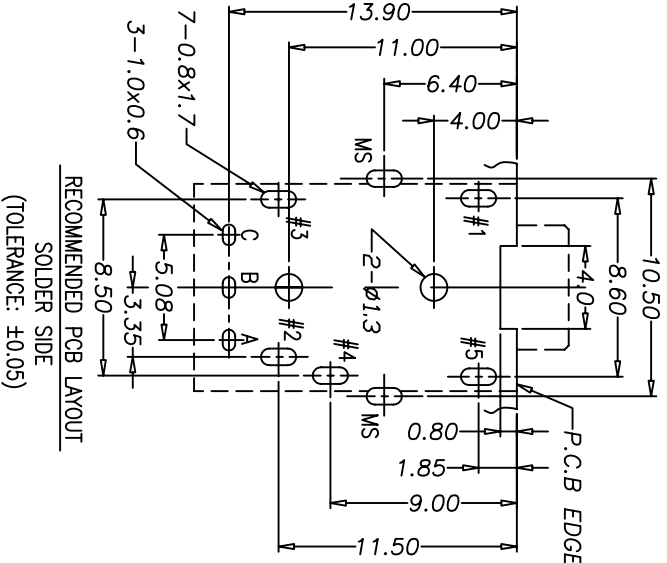
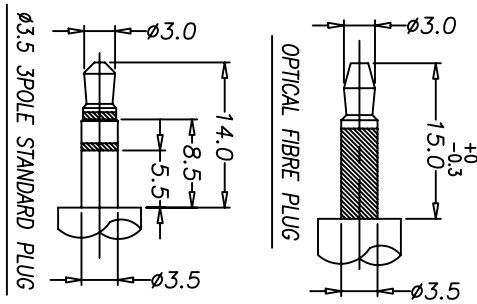
- 4. PACKING: TAPE & REEL
- 5. TO CONFORM TO THE "SE-01-001" & "ROHS DIRECTIVE"
- 6. GREEN PRODUCT IDENTIFICATION MARK IN JACK: **G.P. PASS**
- 7. GREEN PRODUCT IDENTIFICATION LABEL IN PACKING:
- 8. FOR LEAD-FREE PROCESS.



DATE CODE



REV.	ECN NO OR DESCRIPTION	REVISED	DATE
A	PRODUCT RELEASE	AMY	2007.07.13
B	ECN NO:1070173	LAO	2007.09.05



RECOMMENDED PCB LAYOUT
SOLDER SIDE
(TOLERANCE: ±0.05)

A

J	IC DRIVE (Rx)	1	EPOXY	TIN PLATING (Lead-Free)
I	SHIELDING	1	COPPER ALLOY	N/A
H	EARTH SPRING-A	1	PHOSPHOR BRONZE	GOLD FLASH (1~3μ min)
G	EARTH SPRING-B	1	PHOSPHOR BRONZE	GOLD FLASH (1~3μ min)
F	EARTH TERMINAL	1	PHOSPHOR BRONZE	GOLD FLASH (1~3μ min)
E	TIP SPRING	1	PHOSPHOR BRONZE	GOLD FLASH (1~3μ min)
D	RING SPRING	1	PHOSPHOR BRONZE	GOLD FLASH (1~3μ min)
C	CASE	1	HIGH TEMP THERMOPLASTIC UL 94V-0	BLACK COLOR
B	COVER	1	HIGH TEMP THERMOPLASTIC UL 94V-0	BLACK COLOR
A	BODY	1	HIGH TEMP THERMOPLASTIC UL 94V-0	BLACK COLOR
NO	DESCRIPTION	QTY	MATERIAL	PLATING & COLOR

UNLESS OTHERWISE SPECIFIED TOLERANCES		SINGATRON ENTERPRISE CO., LTD.	
DECIMALS:	ANGLES:	信晉企業股份有限公司	
X : ±0.5	X : ±2°		
X.X : ±0.3	X.X : ±1°		
X.XX : ±0.2			
TITLE		δ3.5 PHONE JACK (WITH Rx-IC)	
DWN	DW 20035	PART NO.	2SJ-A373-K01
CHKD	MEA 20035	SCALE:	4/1 UNIT: mm
APVD	MEA 20035	SIZE:	A3 SHEET: 1 OF 1 REV: B
CUSTOMER COPY			