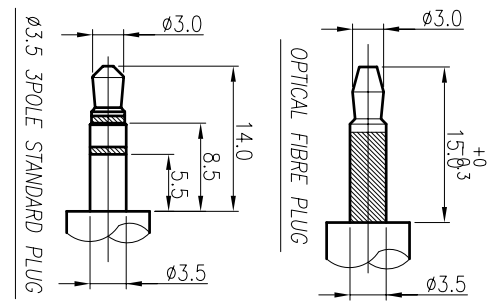
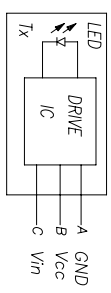
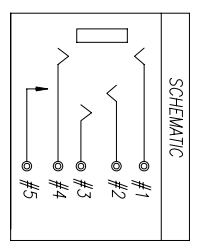
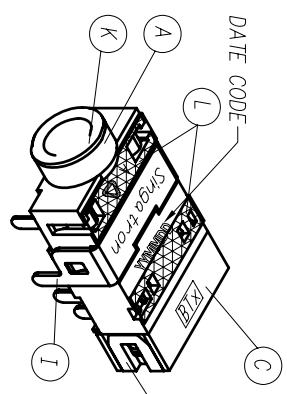
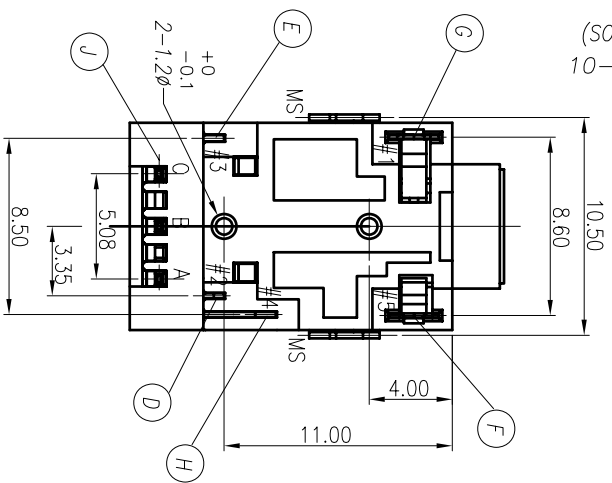
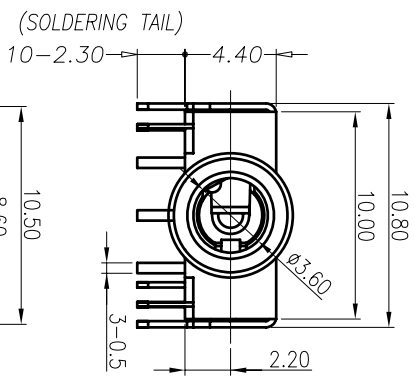
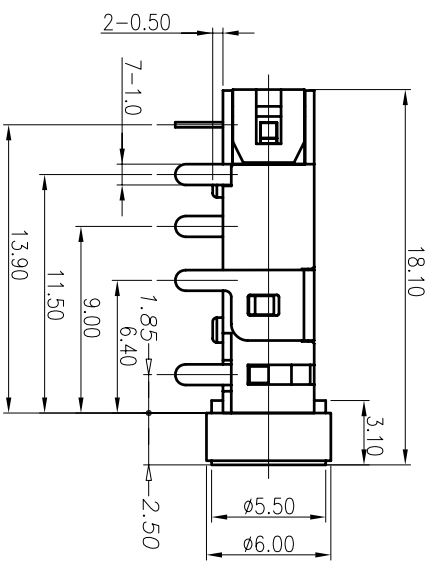
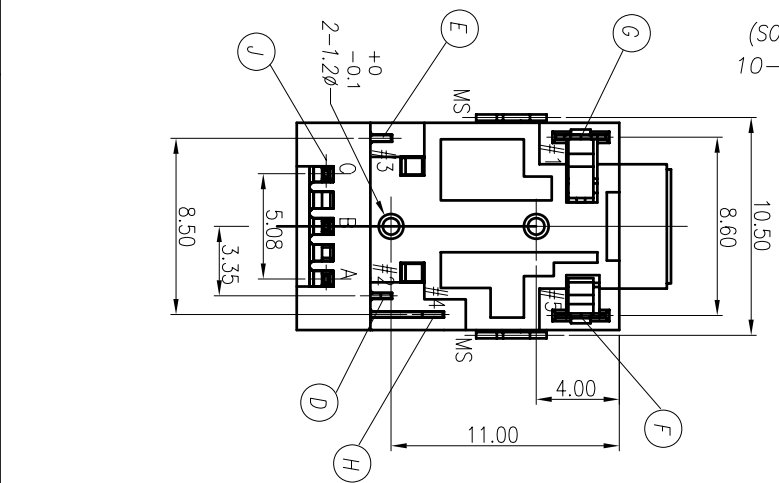
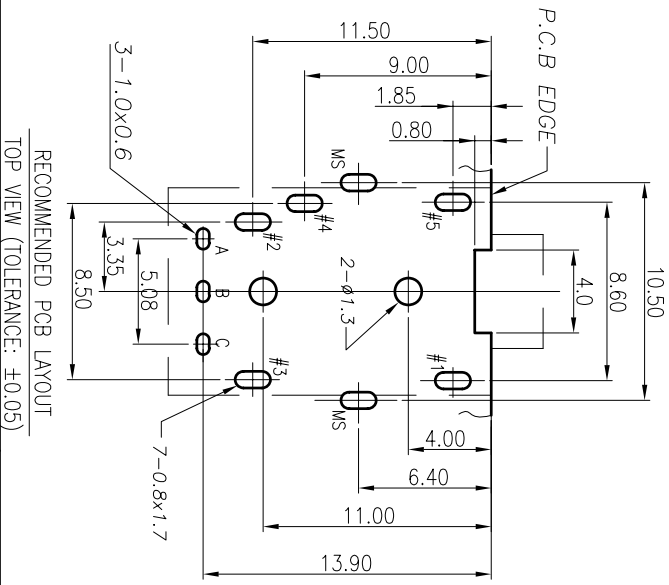


- SPECIFICATIONS:**
- ELECTRICAL CHARACTERISTICS:**
    - 1-1. RATING: 12V 1A
    - 1-2. CONTACT RESISTANCE: 30mΩMAX(BEFORE)
    - 1-3. DIELECTRIC VOLTAGE WITHSTAND: 500V AC FOR ONE MINUTE
    - 1-4. INSULATION RESISTANCE: 100M Ω MIN. MEASURED BY 500 VDC
  - MECHANICAL CHARACTERISTICS:**
    - 2-1. INSERTED FORCE : 3.5 KGS MAX.
    - 2-2. WITHDRAWAL FORCE : 0.3~4.0 KGS

3. LIFE TEST: 5,000 CYCLES MIN.
4. PACKAGING: TAPE & REEL
5. TO CONFORM TO SINGATRON HAZARDOUS SUBSTANCE FREE SPEC
6. GREEN PRODUCT IDENTIFICATION MARK ON JACK
7. GREEN PRODUCT IDENTIFICATION LABEL ON PACKAGING: **G.P. PASS**
8. FOR REFLOW SOLDERING LEAD-FREE PROCESS.



REV.	ECN NO.	OR DESCRIPTION	REVISED	DATE
C	ECN NO.1060293	LAO	2006.09.05	
D	ECN NO.1070223	BEFYL	2007.7.31	
E	ECN NO.1070173	LAO	2007.09.05	
F	ECN NO.5100304	ANGEL	2010.03.05	



NO	DESCRIPTION	QTY	MATERIAL	PLATING & COLOR
L	INSULATION FILM	2	MYLAR	N/A
K	METAL	1	BRASS	Ni 60μ MIN.
J	IC DRIVE	1	EPOXY	TIN PLATING (Lead-Free)
I	SHIELDING	1	COPPER ALLOY	清洗
H	EARTH SPRING-A	1	PHOSPHOR BRONZE	GOLD FLASH OVER Ni 60μ MIN.
G	EARTH SPRING-B	1	PHOSPHOR BRONZE	GOLD FLASH OVER Ni 60μ MIN.
F	EARTH TERMINAL	1	PHOSPHOR BRONZE	GOLD FLASH OVER Ni 60μ MIN.
E	TIP SPRING	1	PHOSPHOR BRONZE	GOLD FLASH OVER Ni 60μ MIN.
D	RING SPRING	1	PHOSPHOR BRONZE	GOLD FLASH OVER Ni 60μ MIN.
C	CASE	1		
B	COVER	1	HIGH TEMP THERMOPLASTIC UL 94V-0	BLACK
A	BODY	1		
NO	DESCRIPTION	QTY	MATERIAL	PLATING & COLOR

UNLESS OTHERWISE SPECIFIED TOLERANCES

Singatron Enterprise Co., Ltd.  
信登企業股份有限公司

DATE CODE

RECOMMEND MATING PLUG  
1/2 SCALE

RECOMMENDED PCB LAYOUT  
TOP VIEW (TOLERANCE: ±0.05)

TITLE: Ø3.5 PHONE JACK (WITH IC)

DWN: PART NO. 2SJ-A373-T01

CHKD: SCALE: 4/1 UNIT: mm

APVD: SIZE: A3 SHEET: 1 OF 1 REV: F

CUSTOMER COPY