

1

2

3

4

5

6

7

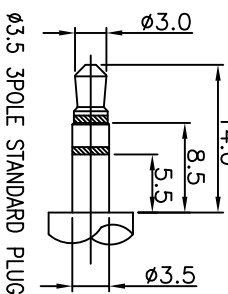
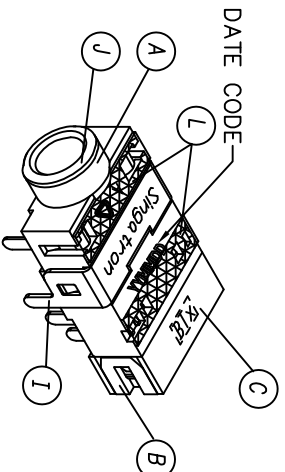
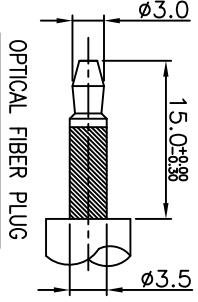
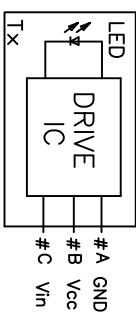
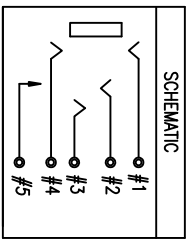
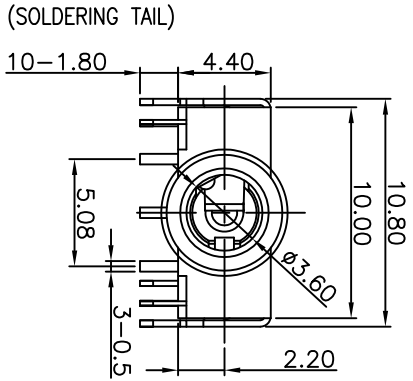
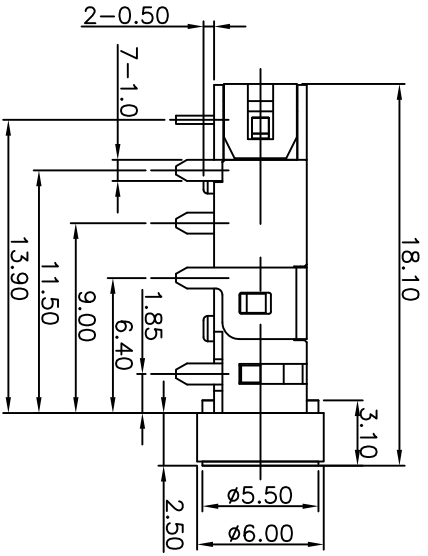
8

REV. ECN NO OR DESCRIPTION

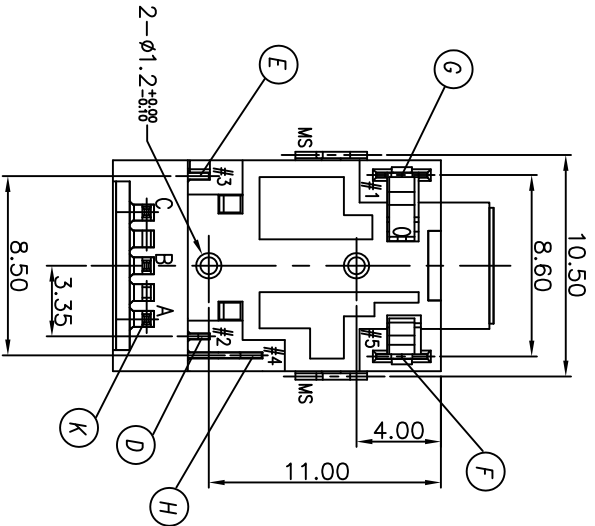
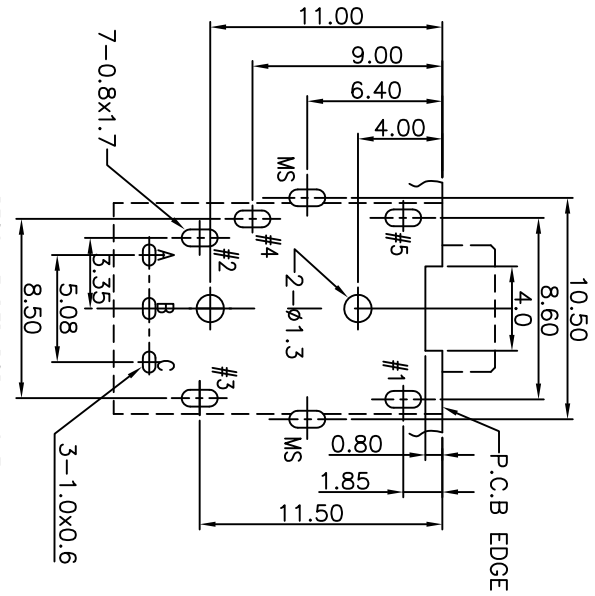
REVISED DATE

- SPECIFICATIONS:**
- ELECTRICAL CHARACTERISTICS:**
    - 1-1. RATING: 12V 1A
    - 1-2. CONTACT RESISTANCE: 30MΩ MAX(INITIAL)
    - 1-3. DIELECTRIC VOLTAGE WITHSTAND: 500V AC FOR ONE MINUTE
    - 1-4. INSULATION RESISTANCE: 100MΩ MIN. MEASURED BY 500 VDC
  - MECHANICAL CHARACTERISTICS:**
    - 2-1. INSERTED FORCE : 3.5 KGS MAX.
    - 2-2. WITHDRAWAL FORCE : 0.3~4.0 KGS

3. LIFE TEST: 5,000 CYCLES MIN.
4. PACKAGING: TAPE & REEL
5. TO CONFORM TO SINGAPOUR HAZARDOUS SUBSTANCE FREE SPEC
6. GREEN PRODUCT IDENTIFICATION MARK ON JACK:
7. GREEN PRODUCT IDENTIFICATION LABEL ON PACKAGING:
8. FOR LEAD-FREE PROCESS.



RECOMMEND MATING PLUG  
1/2 SCALE



|    |                 |     |  |
|----|-----------------|-----|--|
| L  | INSULATION FILM | 2   | N/A                                    |
| K  | IC DRIVER       | 1   | EPOXY/CDA-C19400 Sn 120u"IN50u"        |
| J  | METAL           | 1   | BRASS STRIP Ni80u"Min,Cu80u"Min(N1)    |
| I  | SHIELDING       | 1   | COPPER ALLOY N/A                       |
| H  | EARTH SPRING-A  | 1   | PHOSPHOR BRONZE GOLD FLASH,Ni 50umMin  |
| G  | EARTH SPRING-B  | 1   | PHOSPHOR BRONZE GOLD FLASH,Ni 50umMin  |
| F  | EARTH TERMINAL  | 1   | PHOSPHOR BRONZE GOLD FLASH,Ni 50umMin  |
| E  | TIP SPRING      | 1   | PHOSPHOR BRONZE GOLD FLASH,Ni 50umMin  |
| D  | RING SPRING     | 1   | PHOSPHOR BRONZE GOLD FLASH,Ni 50umMin  |
| C  | CASE            | 1   | HIGH TEMP THERMOPLASTIC UL 94V-0 BLACK |
| B  | COVER           | 1   | HIGH TEMP THERMOPLASTIC UL 94V-0 BLACK |
| A  | BODY            | 1   | HIGH TEMP THERMOPLASTIC UL 94V-0 BLACK |
| NO | DESCRIPTION     | QTY | MATERIAL PLATING & COLOR               |

UNLESS OTHERWISE SPECIFIED TOLERANCES

DECIMALS: ANGLES:

X : ±0.5 X : ±2°

X.X : ±0.3 X.X : ±1'

X.XX : ±0.2

RECOMMENDED PCB LAYOUT  
TOP VIEW  
(TOLERANCE: ±0.05)

Singapore Enterprise Co., Ltd.  
信音企業股份有限公司

DATE CODE: A L J B

Ø3.5 PHONE JACK

DWN: 2010/08/11 PART NO. 2SJ-A373-T11

CHKD: 2010/08/11 SCALE: 4:1 UNIT: mm

APVD: 2010/08/11 SIZE: A3 SHEET: 1 OF 1 REV: B

CUSTOMER COPY