
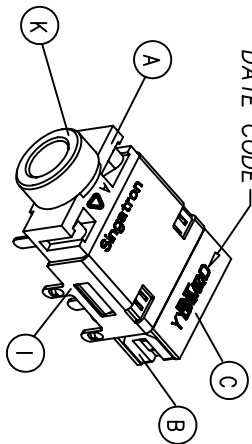
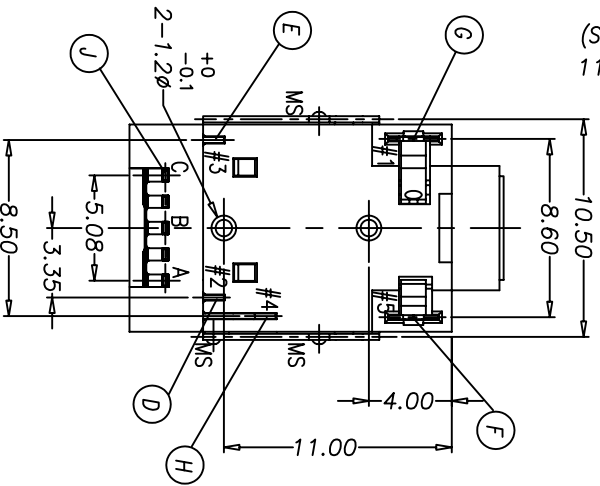
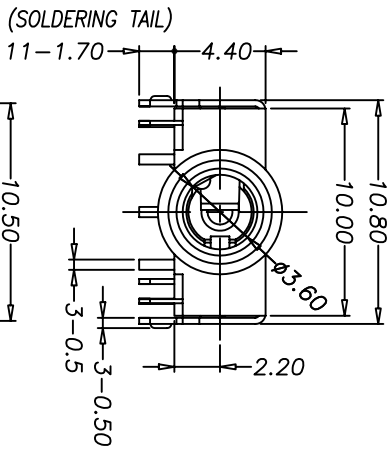
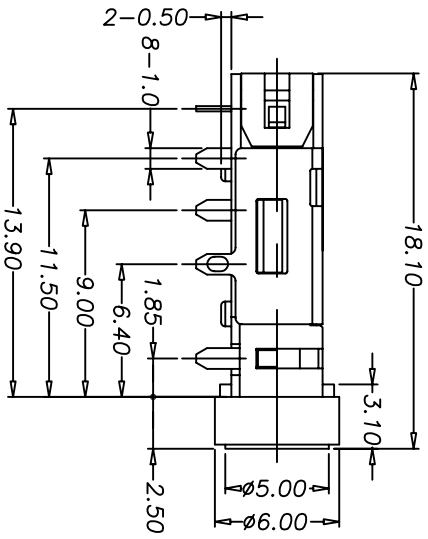
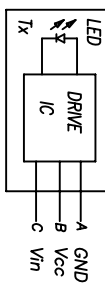
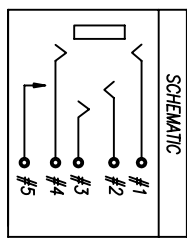


- SPECIFICATIONS:**
- ELECTRICAL CHARACTERISTICS:**
    - 1-1. RATING: 12V 1A
    - 1-2. CONTACT RESISTANCE: 30mΩ MAX (BEFORE)
    - 1-3. DIELECTRIC VOLTAGE WITHSTAND: 500V AC FOR ONE MINUTE
    - 1-4. INSULATION RESISTANCE: 100M Ω MIN. MEASURED BY 500 VDC
  - MECHANICAL CHARACTERISTICS:**
    - 2-1. INSERTED FORCE : 3.5 KGS MAX.
    - 2-2. WITHDRAWAL FORCE : 0.3~4.0 KGS

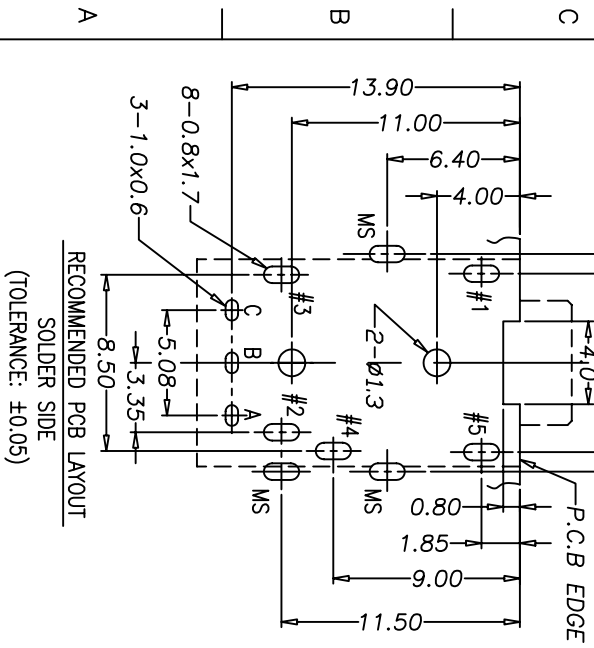
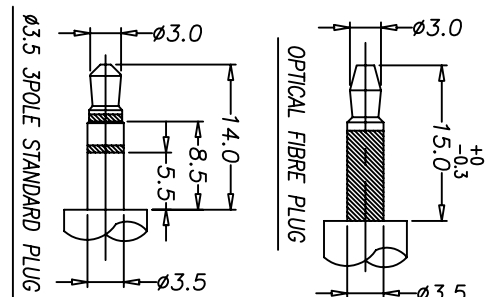
3. LIFE TEST: 5,000 CYCLES MIN.
4. PACKING: TAPE & REEL
5. TO CONFORM TO THE "SE-01-001" & "ROHS DIRECTIVE"
6. GREEN PRODUCT IDENTIFICATION MARK IN JACK: 
7. GREEN PRODUCT IDENTIFICATION LABEL IN PACKING: **GREEN PASS**
8. FOR LEAD-FREE PROCESS.



DATE CODE



REV.	ECN NO.	OR DESCRIPTION	REVISED	DATE
C	ECN NO.1060293	LMO	2006.09.05	
D	ECN NO.1060348	JACKY	2006.12.06	
E	ECN NO.1070034	JACKY	2007.02.26	
F	ECN NO.1070223	BERRYL	2007.7.31	



RECOMMENDED PCB LAYOUT  
SOLDER SIDE  
(TOLERANCE: ±0.05)

K	METAL	1	BRASS	NICKEL PLATING
J	IC DRIVE	1	EPOXY	TIN PLATING (Lead-Free)
I	SHIELDING	1	BRASS	TIN PLATING 60% ON SOLDER TIN ALL OVER NICKEL PLATING.
H	EARTH SPRING-A	1	PHOSPHOR BRONZE	GOLD FLASH
G	EARTH SPRING-B	1	PHOSPHOR BRONZE	GOLD FLASH
F	EARTH TERMINAL	1	PHOSPHOR BRONZE	GOLD FLASH
E	TIP SPRING	1	PHOSPHOR BRONZE	GOLD FLASH
D	RING SPRING	1	PHOSPHOR BRONZE	GOLD FLASH
C	CASE	1	HIGH TEMP THERMOPLASTIC UL 94V-0	BLACK COLOR
B	COVER	1	HIGH TEMP THERMOPLASTIC UL 94V-0	BLACK COLOR
A	BODY	1	HIGH TEMP THERMOPLASTIC UL 94V-0	BLACK COLOR
NO	DESCRIPTION	QTY	MATERIAL	PLATING & COLOR

UNLESS OTHERWISE SPECIFIED TOLERANCES

DECIMALS: ANGLES:

X : ±0.5 X : ±2  
X.X : ±0.3 X.X : ±1'  
X.XX : ±0.2

 Singatron Enterprise Co., Ltd.  
信登企業股份有限公司

TITLE: Ø3.5 PHONE JACK (WITH IC)

DWN: BRN 2007.03 PART NO. 2SI-B373-B01

CHKD: LMO 2007.01 SCALE: 4/1 UNIT: mm

APVD: MCH 2007.01 SIZE: A3 SHEET: 1 OF 1 REV: F

CUSTOMER COPY