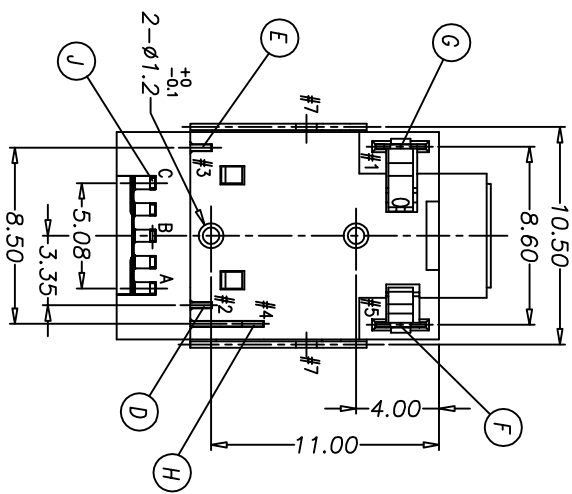
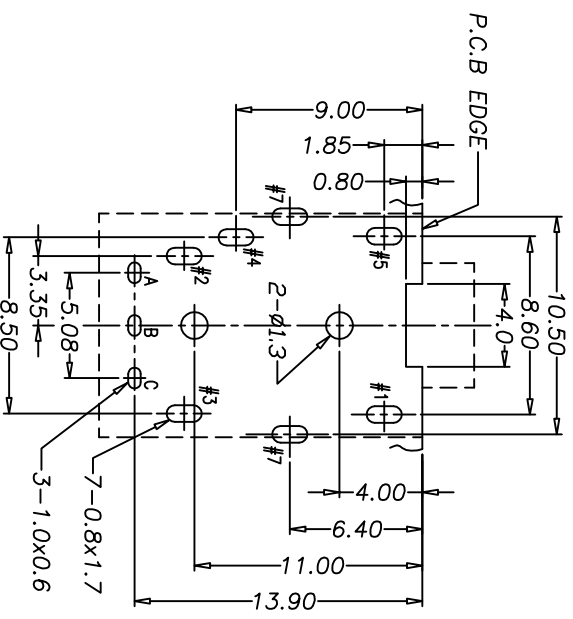
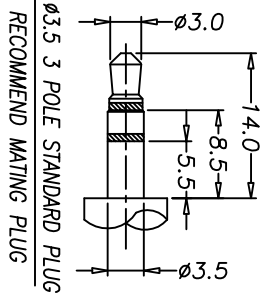
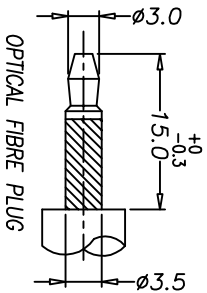
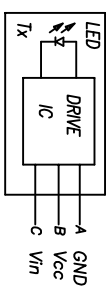
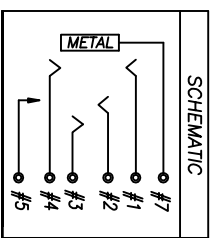
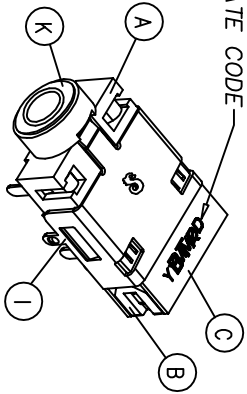
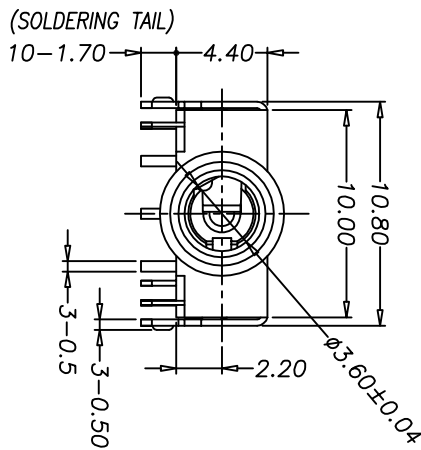
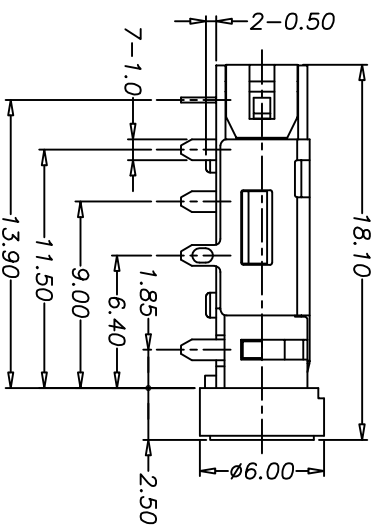


REV	ECN NO OR DESCRIPTION	REVISED	DATE
A	PDR NO.:T080925-1A	Sidney	2008/09/26

- SPECIFICATIONS:**
- ELECTRICAL CHARACTERISTICS:**
    - 1-1. RATING: 12V 1A
    - 1-2. CONTACT RESISTANCE: 30mΩ MAX(INITIAL).
    - 1-3. DIELECTRIC VOLTAGE WITHSTAND: 500V AC FOR ONE MINUTE
    - 1-4. INSULATION RESISTANCE: 100MΩ/MIN. MEASURED BY 500 VDC
  - MECHANICAL CHARACTERISTICS:**
    - 2-1. INSERTION FORCE : 3.5 KGS MAX.
    - 2-2. WITHDRAWAL FORCE : 0.3~4.0 KGS

3. LIFE TEST: 5,000 CYCLES MIN.
4. PACKAGING: TAPE & REEL
5. TO CONFORM TO SINGATRON HAZARDOUS SUBSTANCE FREE SPEC.
6. HALOGEN FREE PRODUCT IDENTIFICATION MARK ON JACK: Ⓞ
7. HALOGEN FREE PRODUCT IDENTIFICATION LABEL ON PACKAGING: Ⓢ
8. FOR LEAD-FREE PROCESS.



RECOMMENDED PCB LAYOUT  
TOP VIEW(TOL:±0.05)

K	METAL	1	BRASS	Ni 60U Min
J	IC DRIVE	1	EPOXY/CDA-C19400	TIN PLATING (Lead-Free)
I	SHIELDING	1	BRASS	Ni 60U Min
H	EARTH SPRING-A	1	PHOSPHOR BRONZE	GOLD FLASH OVER Ni 60U Min
G	EARTH SPRING-B	1	PHOSPHOR BRONZE	GOLD FLASH OVER Ni 60U Min
F	EARTH TERMINAL	1	PHOSPHOR BRONZE	GOLD FLASH OVER Ni 60U Min
E	TIP SPRING	1	PHOSPHOR BRONZE	GOLD FLASH OVER Ni 60U Min
D	RING SPRING	1	PHOSPHOR BRONZE	GOLD FLASH OVER Ni 60U Min
C	CASE	1	HIGH TEMP THERMOPLASTIC	GREEN (577C)
B	COVER	1	HIGH TEMP THERMOPLASTIC	GREEN (577C)
A	BODY	1	HIGH TEMP THERMOPLASTIC	GREEN (577C)
NO	DESCRIPTION		MATERIAL	PLATING & COLOR

UNLESS OTHERWISE SPECIFIED TOLERANCES

DECIMALS: ±0.5  
ANGLES: X ±2°  
X.X ±0.3  
X.XX ±0.2

Singatron Enterprise Co., Ltd.  
信譽企業股份有限公司

TITLE	Ø3.5 PHONE JACK (WITH IC)
DWN	Shiny 2008.09.26 PART NO. 2SI-C373-B04
CHKD	Luzon 2008.10.31 SCALE:4/1 UNIT: mm
APVD	Wu 2008.10.31 SIZE: A3 SHEET: 1 OF 1 REV:A

CUSTOMER COPY