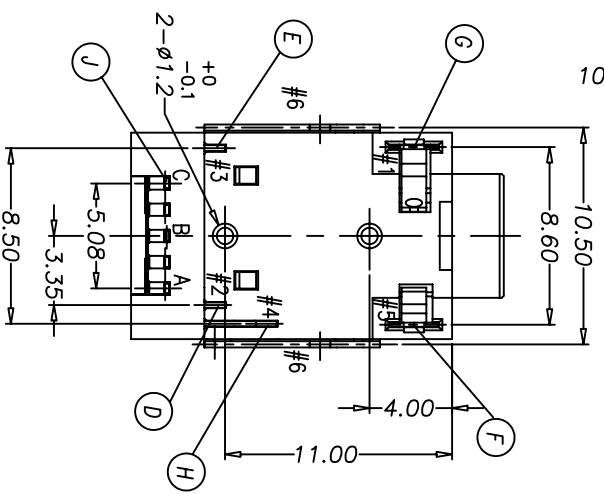
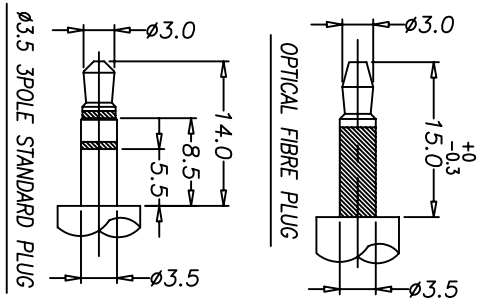
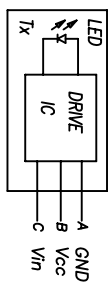
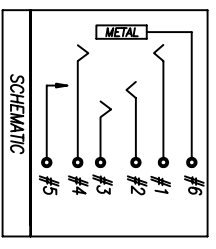
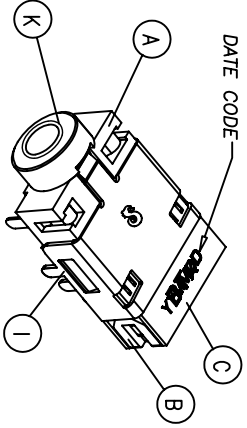
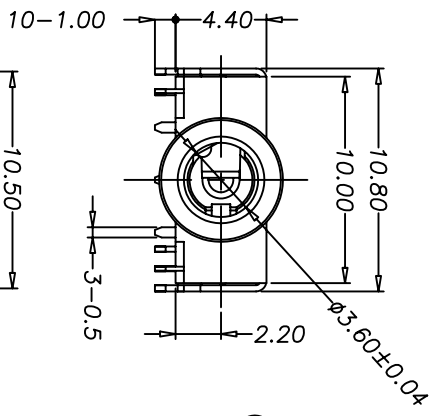
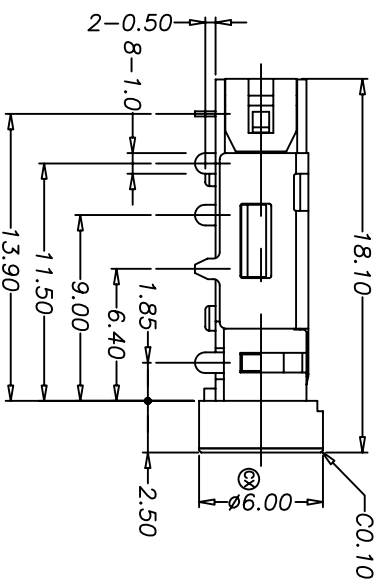


- SPECIFICATIONS:**
- ELECTRICAL CHARACTERISTICS:**
 - 1-1. RATING: 12V 1A
 - 1-2. CONTACT RESISTANCE: 30mΩ MAX (BEFORE)
 - 1-3. DIELECTRIC VOLTAGE WITHSTAND: 500V AC FOR ONE MINUTE
 - 1-4. INSULATION RESISTANCE: 100MΩ MIN. MEASURED BY 500 VDC
 - MECHANICAL CHARACTERISTICS:**
 - 2-1. INSERTED FORCE: 3.0 Kg Max.
 - 2-2. WITHDRAWAL FORCE: 0.3~2.0 Kg.

3. LIFE TEST: 5,000 CYCLES MIN.
4. PACKAGING: TAPE & REEL
5. TO CONFORM TO SINGATRON HAZARDOUS SUBSTANCE FREE SPEC.
6. GREEN PRODUCT IDENTIFICATION MARK ON JACK:
7. GREEN PRODUCT IDENTIFICATION LABEL ON PACKAGING: **G.P. PASS**
8. FOR LEAD-FREE PROCESS.



RECOMMEND PCB LAYOUT
TOP VIEW (TOLERANCE: ±0.05)

REV	ECN NO	OR DESCRIPTION	REVISED	DATE
A		PRODUCT RELEASE	AMY	2007.08.17
B		ECN NO: S080805	Sidney	2008.09.17

K	METAL	1	BRASS	Ni: 60 u" Min
J	IC DRIVE	1	EPOXY	TIN PLATING (Lead-Free)
I	SHIELDING	1	PHOSPHOR BRONZE	Ni: 60 u" Min
H	EARTH SPRING-A	1	PHOSPHOR BRONZE	GOLD FLASH OVER Ni: 60u" Min
G	EARTH SPRING-B	1	PHOSPHOR BRONZE	GOLD FLASH OVER Ni: 60u" Min
F	EARTH TERMINAL	1	PHOSPHOR BRONZE	GOLD FLASH OVER Ni: 60u" Min
E	TIP SPRING	1	PHOSPHOR BRONZE	GOLD FLASH OVER Ni: 60u" Min
D	RING SPRING	1	PHOSPHOR BRONZE	GOLD FLASH OVER Ni: 60u" Min
C	CASE	1	HIGH TEMP THERMOPLASTIC UL 94V-0	BLACK
B	COVER	1	HIGH TEMP THERMOPLASTIC UL 94V-0	BLACK
A	BODY	1	HIGH TEMP THERMOPLASTIC UL 94V-0	BLACK
NO	DESCRIPTION	QTY	MATERIAL	PLATING & COLOR
UNLESS OTHERWISE SPECIFIED TOLERANCES				
DECIMALS: ANGLES:				
X	:±0.5	X	:±2°	
X.X	:±0.3	X.X	:±1°	
X.XX	:±0.2			
TITLE: φ3.5 PHONE JACK (WITH IC)				
DWG: 2008.09.17 PART NO. 2SI-C373-D02				
CHKD: 2008.10.16 SCALE: 4:1 UNIT: mm				
APVD: 2008.10.16 SIZE: A3 SHEET: 1 OF 1 REV: B				
CUSTOMER COPY				

Singaton Enterprise Co., Ltd.
信營企業股份有限公司