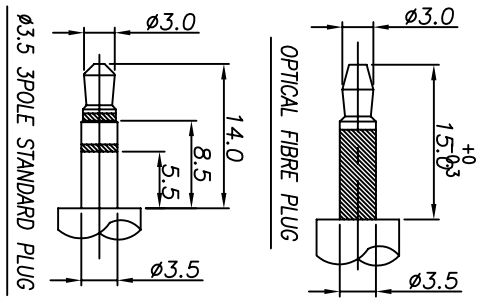
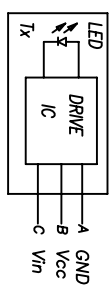
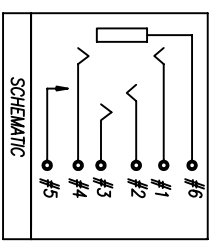
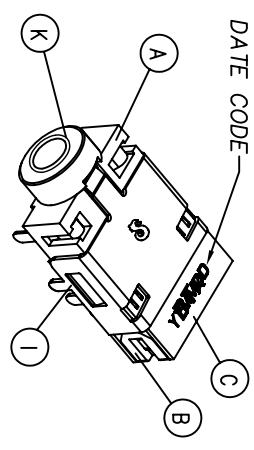
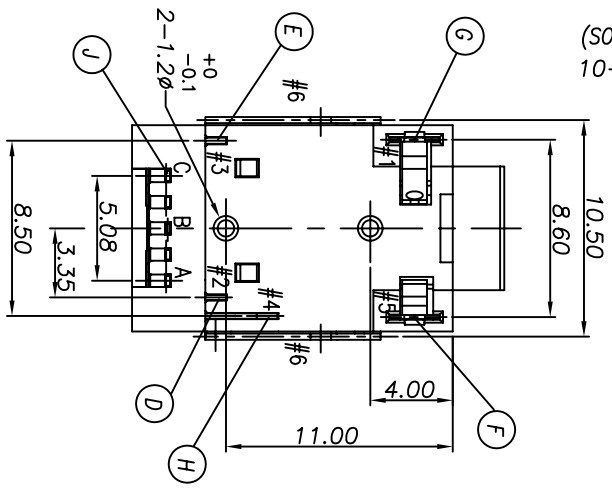
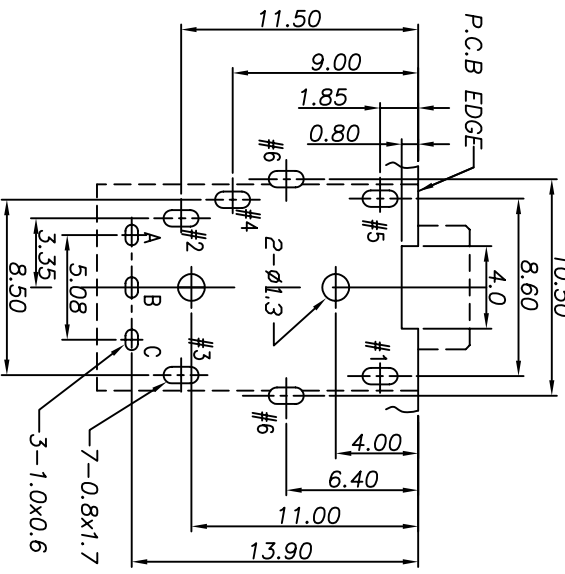
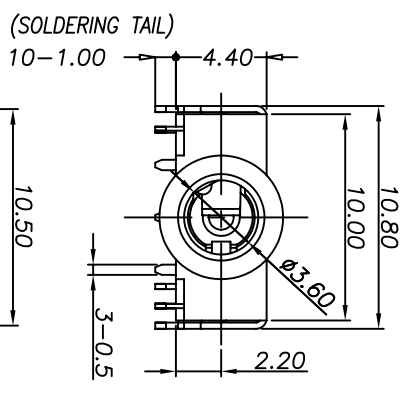
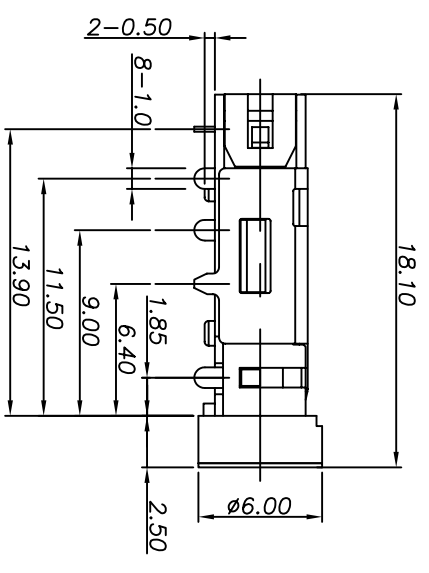


SPECIFICATIONS:

- 1. ELECTRICAL CHARACTERISTICS:**
 1-1. RATING: 12V 1A
 1-2. CONTACT RESISTANCE: 30mΩ MAX (BEFORE)
 1-3. DIELECTRIC VOLTAGE WITHSTAND: 500V AC FOR ONE MINUTE
 1-4. INSULATION RESISTANCE: 100MΩ MIN. MEASURED BY 500 VDC
- 2. MECHANICAL CHARACTERISTICS:**
 2-1. INSERTED FORCE: 3.5 KGS MAX.
 2-2. WITHDRAWAL FORCE: 0.3~4.0 KGS

- 3. LIFE TEST: 5,000 CYCLES MIN.**
4. PACKING: TAPE & REEL
5. TO CONFORM TO THE SINGATRON HSF SPECIFICATION.
6. GREEN PRODUCT IDENTIFICATION MARK ON JACK
7. GREEN PRODUCT IDENTIFICATION LABEL ON PACKING: G.P. PASS
8. FOR LEAD-FREE PROCESS.



REV.	ECN NO.	OR DESCRIPTION	REVISED	DATE
A	PDR NO.	1080121-3A	Sly	2008.02.19

K	METAL	1	BRASS	GOLD FLASH; NI 50U"
J	IC DRIVE	1	EPOXY	Sn 120U", NI 50U"
I	SHIELDING	1	PHOSPHOR BRONZE	可鍍160U"
H	EARTH SPRING-A	1	PHOSPHOR BRONZE	GOLD FLASH; NI 50U" Min
G	EARTH SPRING-B	1	PHOSPHOR BRONZE	GOLD FLASH; NI 50U" Min
F	EARTH TERMINAL	1	PHOSPHOR BRONZE	GOLD FLASH; NI 50U" Min
E	TIP SPRING	1	PHOSPHOR BRONZE	GOLD FLASH; NI 50U" Min
D	RING SPRING	1	PHOSPHOR BRONZE	GOLD FLASH; NI 50U" Min
C	CASE	1	HIGH TEMP THERMOPLASTIC UL 94H-0	BLACK COLOR
B	COVER	1	HIGH TEMP THERMOPLASTIC UL 94H-0	BLACK COLOR
A	BODY	1	HIGH TEMP THERMOPLASTIC UL 94H-0	BLACK COLOR
NO	DESCRIPTION	QTY	MATERIAL	PLATING & COLOR

UNLESS OTHERWISE SPECIFIED TOLERANCES

DECIMALS: ANGLES:

X : ±0.5 X : ±2°
 X.X : ±0.3 X.X : ±1°
 X.XX : ±0.2

Singatron Enterprise Co., Ltd.
 信音企業股份有限公司

Part No. 2SJ-C373-D03

SCALE: 4:1 UNIT: mm

SIZE: A3 SHEET: 1 OF 1 REV: A

CUSTOMER COPY(SZ)

RECOMMENDED PCB LAYOUT
 TOP VIEW
 (TOLERANCE: ±0.05)