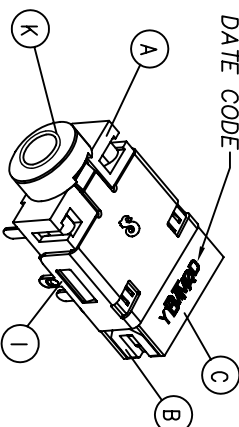
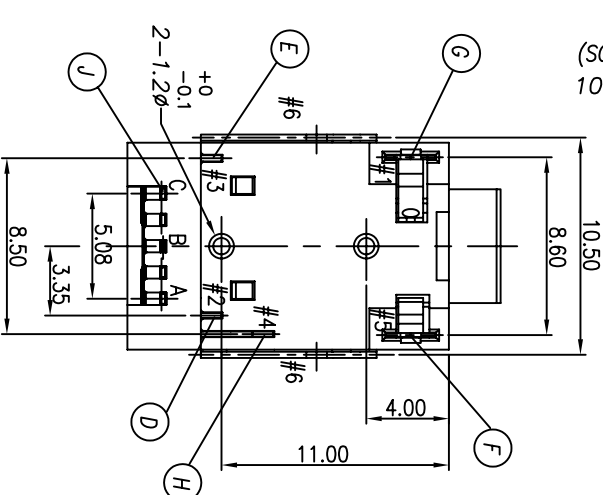
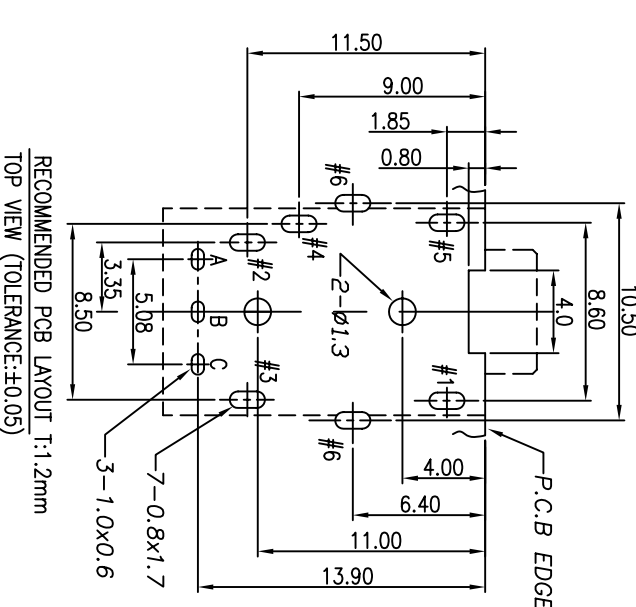
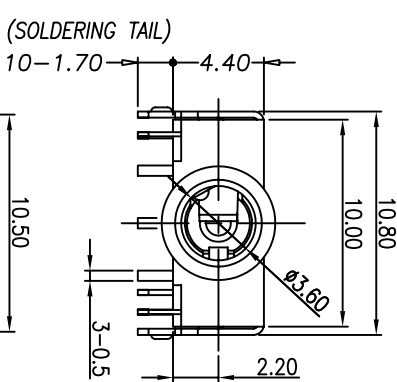
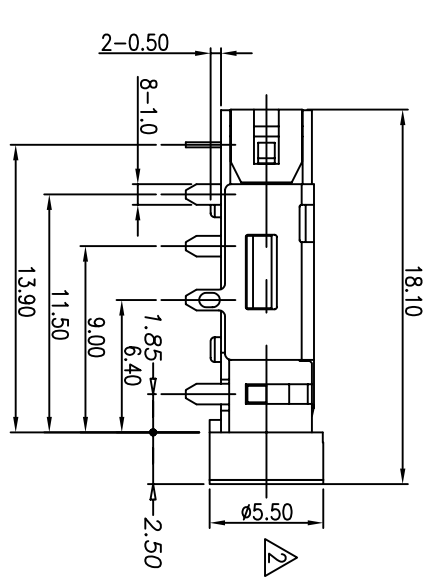


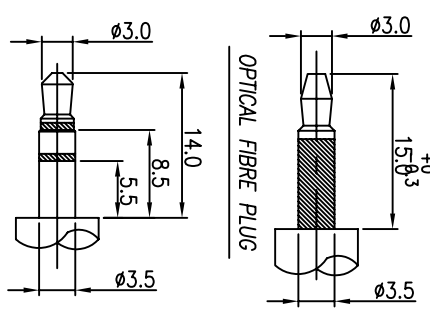
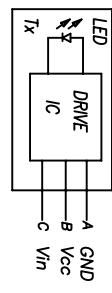
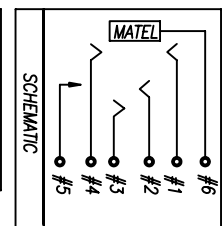
- SPECIFICATIONS:**
- ELECTRICAL CHARACTERISTICS:**
    - 1-1. RATING: 12V 1A
    - 1-2. CONTACT RESISTANCE: 30mΩ MAX (BEFORE)
    - 1-3. DIELECTRIC VOLTAGE WITHSTAND: 500V AC FOR ONE MINUTE
    - 1-4. INSULATION RESISTANCE: 100MΩ MIN. MEASURED BY 500 VDC
  - MECHANICAL CHARACTERISTICS:**
    - 2-1. INSERTED FORCE: 3.5 KGS MAX.
    - 2-2. WITHDRAWAL FORCE: 0.3~4.0 KGS

3. LIFE TEST: 5,000 CYCLES MIN.
4. PACKAGING: TAPE & REEL
5. TO CONFORM TO THE SINGATRON HSF SPEC.
6. GREEN PRODUCT IDENTIFICATION MARK ON JACK:
7. GREEN PRODUCT IDENTIFICATION LABEL ON PACKAGING:
8. FOR LEAD-FREE PROCESS.



DATE CODE

G.P. PASS



RECOMMEND MATING PLUG  
1/2 SCALE

REV.	ECN NO. OR DESCRIPTION	REVISED	DATE
A	PRODUCT RELEASE	ANY	2008.01.14

NO	DESCRIPTION	QTY	MATERIAL	PLATING & COLOR
K	METAL	1	BRASS	NICKEL PLATING
J	IC DRIVE	1	EPOXY	TIN PLATING (Lead-Free)
I	SHIELDING	1	PHOSPHOR BRONZE	NICKEL PLATING
H	EARTH SPRING-A	1	PHOSPHOR BRONZE	GOLD FLASH
G	EARTH SPRING-B	1	PHOSPHOR BRONZE	GOLD FLASH
F	EARTH TERMINAL	1	PHOSPHOR BRONZE	GOLD FLASH
E	TIP SPRING	1	PHOSPHOR BRONZE	GOLD FLASH
D	RING SPRING	1	PHOSPHOR BRONZE	GOLD FLASH
C	CASE	1	HIGH TEMP THERMOPLASTIC UL 94V-0	BLACK COLOR
B	COVER	1	HIGH TEMP THERMOPLASTIC UL 94V-0	BLACK COLOR
A	BODY	1	HIGH TEMP THERMOPLASTIC UL 94V-0	BLACK COLOR
NO	DESCRIPTION	QTY	MATERIAL	PLATING & COLOR

Singatron Enterprise Co., Ltd.  
信晉企業股份有限公司

TITLE: Ø3.5 PHONE JACK (WITH IC)  
PART NO. 2SJ-C373-DA2  
SCALE: 4/1 UNIT: mm  
SHEET: 1 OF 1 REV: A

CUSTOMER COPY