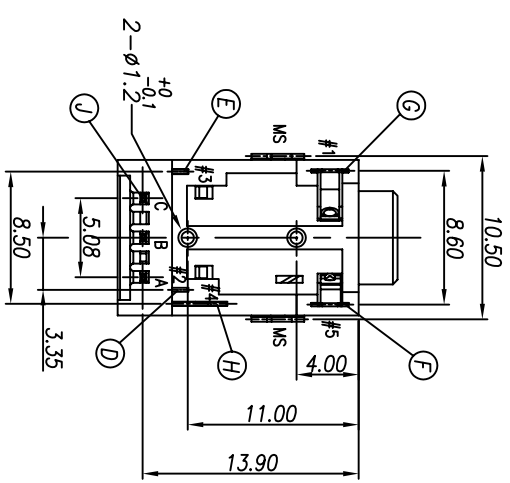
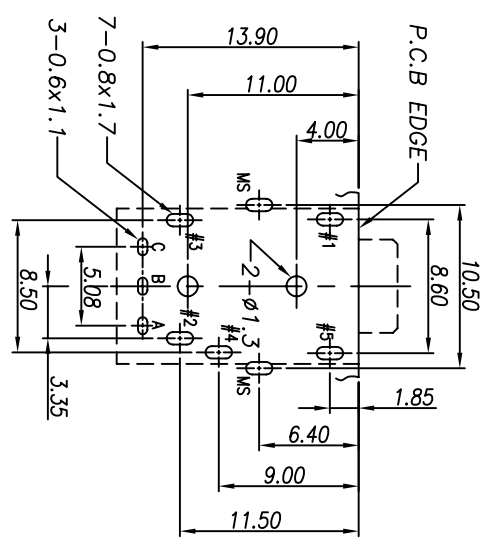
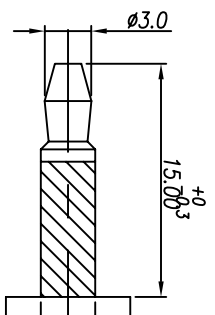


**SPECIFICATIONS:**

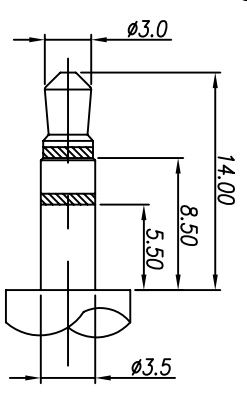
1. ELECTRICAL CHARACTERISTICS:
  - 1-1. RATING: 12V 1A
  - 1-2. CONTACT RESISTANCE: 30mΩMAX(BEFORE).
  - 1-3. DIELECTRIC VOLTAGE WITHSTAND: 500V AC FOR ONE MINUTE
  - 1-4. INSULATION RESISTANCE: 100M MIN. (MEASURED BY 500 VDC)
2. MECHANICAL CHARACTERISTICS:
  - 2-1. INSERTED FORCE : 3.5 KGS MAX.
  - 2-2. WITHDRAWAL FORCE : 0.3~4.0 KGS
3. LIFE TEST: 5,000 CYCLES MIN.
4. PACKAGING: TAPE & REEL
5. TO CONFORM TO THE SINGATRON HSF SPEC.
6. GREEN PRODUCT IDENTIFICATION MARK ON JACK:
7. GREEN PRODUCT IDENTIFICATION LABEL ON PACKAGING:
8. FOR LEAD-FREE PROCESS.



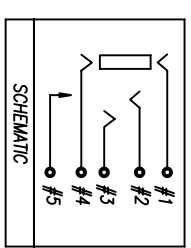
**RECOMMENDED PCB LAYOUT  
SOLDER SIDE (Tolerance:±0.05)**



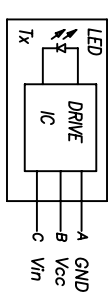
OPTICAL FIBRE PLUG



Ø3.5 3POLE STANDARD PLUG



SCHEMATIC



REV.	ECN NO	OR DESCRIPTION	REVISED	DATE
A		PRODUCT RELEASE	LIAO	2007.02.15
B		ECN NO.1070311	BERYL	2007.11.16
C		ECN NO.1070334	AMY	2007.12.20

J	IC DRIVE	1	EPOXY	TIN PLATING (Lead-free)
I	SHIELDING	1	BRASS	TIN PLATING 60μm SOLDER TAIL ALL OVER NICKEL PLATING.
H	EARTH SPRING-A	1	PHOSPHOR BRONZE	GOLD FLASH
G	EARTH SPRING-B	1	PHOSPHOR BRONZE	GOLD FLASH
F	EARTH TERMINAL	1	PHOSPHOR BRONZE	GOLD FLASH
E	TIP SPRING	1	PHOSPHOR BRONZE	GOLD FLASH
D	RING SPRING	1	PHOSPHOR BRONZE	GOLD FLASH
C	CASE	1	HIGH TEMP THERMOPLASTIC UL 94V-0	BLACK COLOR
B	COVER	1	HIGH TEMP THERMOPLASTIC UL 94V-0	BLACK COLOR
A	BODY	1	HIGH TEMP THERMOPLASTIC UL 94V-0	BLACK COLOR
NO	DESCRIPTION		MATERIAL	PLATING & COLOR

UNLESS OTHERWISE SPECIFIED TOLERANCES

DECIMALS: ANGLES:

X : ±0.5 X : ±2°  
 XX : ±0.3 XX : ±1°  
 XXX : ±0.2

Singatron Enterprise Co., Ltd.  
 信音企業股份有限公司

TITLE: Ø3.5 PHONE JACK (WITH IC)

DRAWN: MW 2007.12.21 PART NO. 251-D373-001  
 CHECKED: LWD 2007.12.21 SCALE: 3/1 UNIT: mm  
 APVD: AMBA 2007.12.21 SIZE: A3 SHEET: 1 OF 1 REV: C

CUSTOMER COPY