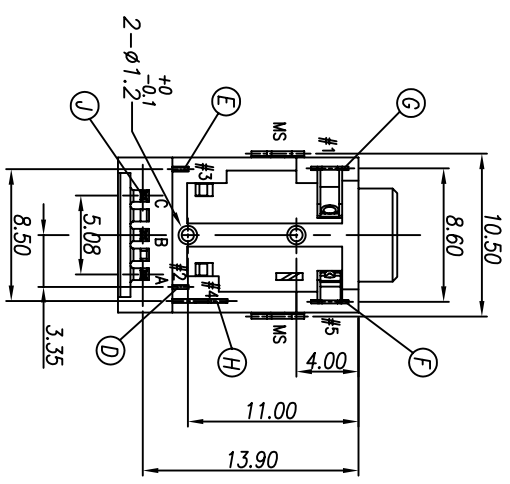
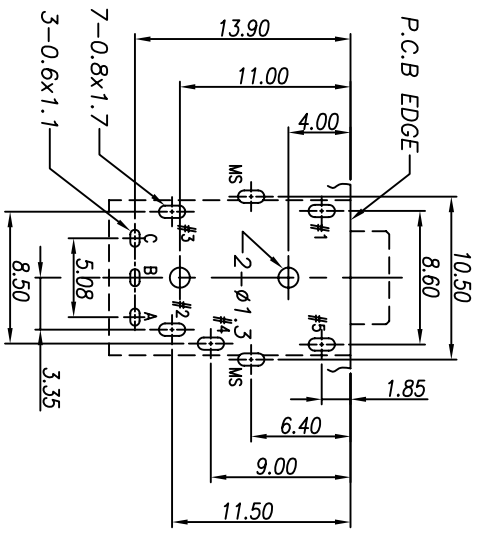


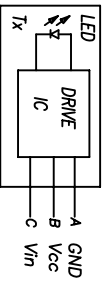
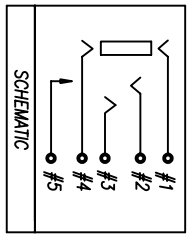
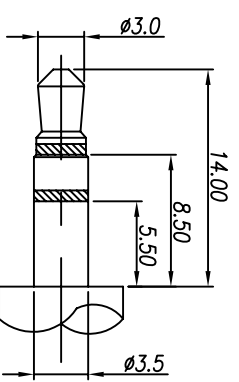
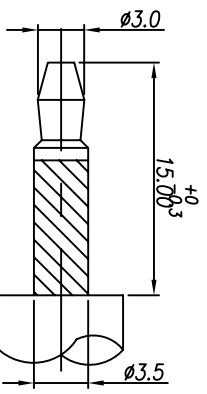
REV.	ECN NO.	OR DESCRIPTION	REVISED	DATE
A		Product released	AMY	2007.11.10
B		ECN NO:T070311	BERYL	2007.11.16
C		ECN NO:T070334	AMY	2007.12.20

SPECIFICATIONS:

- ELECTRICAL CHARACTERISTICS:
 - 1-1. RATING: 12V 1A
 - 1-2. CONTACT RESISTANCE: 30mΩMAX(BEFORE)
 - 1-3. DIELECTRIC VOLTAGE WITHSTAND: 500V AC FOR ONE MINUTE
 - 1-4. INSULATION RESISTANCE: 100M MIN. MEASURED BY 500 VDC
- MECHANICAL CHARACTERISTICS:
 - 2-1. INSERTED FORCE : 3.5 KGS MAX.
 - 2-2. WITHDRAWAL FORCE : 0.3~4.0 KGS
- LIFE TEST: 5,000 CYCLES MIN.
- PACKAGING: TAPE & REEL
- TO CONFORM TO THE SINGATRON HSF SPEC.
- GREEN PRODUCT IDENTIFICATION MARK ON JACK:
- GREEN PRODUCT IDENTIFICATION LABEL ON PACKAGING:
- FOR LEAD-FREE PROCESS.



**RECOMMENDED PCB LAYOUT
SOLDER SIDE (Tolerance:±0.05)**



J	IC DRIVE	1	EPOXY	TIN PLATING (Lead-Free)
I	SHIELDING	1	COPPOR ALLOY	TIN PLATING 60%TN SOLDER TIN ALL OVER WICKEL PLATING.
H	EARTH SPRING-A	1	PHOSPHOR BRONZE	GOLD FLASH
G	EARTH SPRING-B	1	PHOSPHOR BRONZE	GOLD FLASH
F	EARTH TERMINAL	1	PHOSPHOR BRONZE	GOLD FLASH
E	TIP SPRING	1	PHOSPHOR BRONZE	GOLD FLASH
D	RING SPRING	1	PHOSPHOR BRONZE	GOLD FLASH
C	CASE	1	HIGH TEMP THERMOPLASTIC UL 94V-0	BLACK COLOR
B	COVER	1	HIGH TEMP THERMOPLASTIC UL 94V-0	BLACK COLOR
A	BODY	1	HIGH TEMP THERMOPLASTIC UL 94V-0	BLACK COLOR
NO	DESCRIPTION		MATERIAL	PLATING & COLOR

UNLESS OTHERWISE SPECIFIED TOLERANCES

Singatron Enterprise Co., Ltd.
信管企業股份有限公司

DECIMALS: ANGLES: :±0.5 X :±2° X.X :±0.3 X.X :±1° X.XX :±0.2

TITLE: ø3.5 PHONE JACK (WITH IC)

DWN: MW 2007.12.21 PART NO. 2SJ-D373-B02

CHKD: JW 2007.12.21 SCALE: 3/1 UNIT: mm

APVD: MW 2007.12.21 SIZE: A3 SHEET: 1 OF 1 REV: C

CUSTOMER COPY