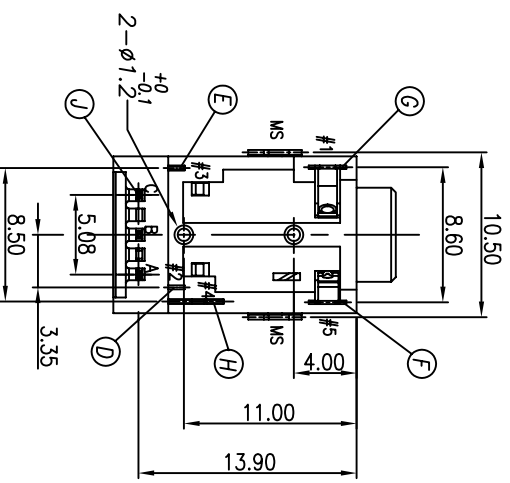
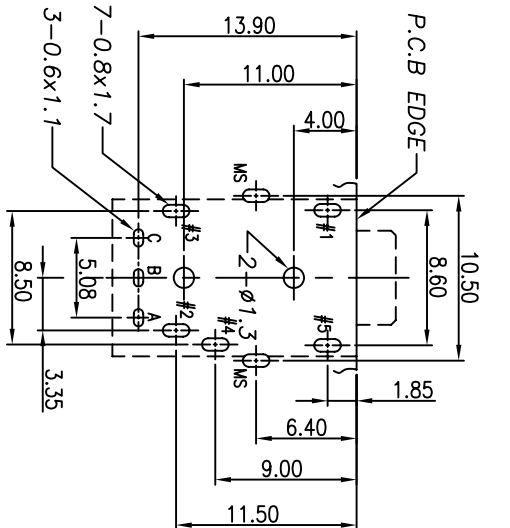


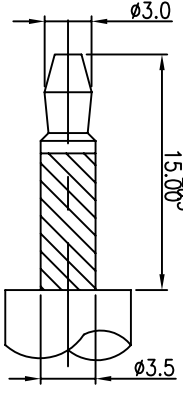
DATE CODE

**SPECIFICATIONS:**

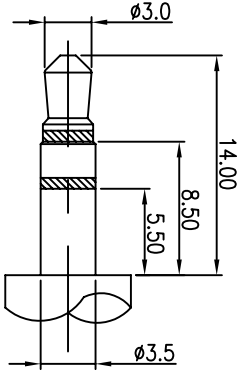
- ELECTRICAL CHARACTERISTICS:**
  - 1-1. RATING: 12V 1A
  - 1-2. CONTACT RESISTANCE: 30mΩMAX(BEFORE)
  - 1-3. DIELECTRIC VOLTAGE WITHSTAND: 500V AC FOR ONE MINUTE
  - 1-4. INSULATION RESISTANCE: 100MΩ MIN. MEASURED BY 500 VDC
- MECHANICAL CHARACTERISTICS:**
  - 2-1. INSERTION FORCE: 3.5 KGS MAX.
  - 2-2. WITHDRAWAL FORCE: 0.3~4.0 KGS
- LIFE TEST: 5,000 CYCLES MIN.**
- PACKAGING: TAPE & REEL**
- TO CONFORM TO THE SINGATRON HSF SPEC.**
- GREEN PRODUCT IDENTIFICATION MARK ON JACK:**
- GREEN PRODUCT IDENTIFICATION LABEL ON PACKAGING:**
- FOR IR LEAD-FREE PROCESS.**



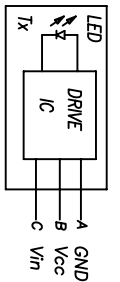
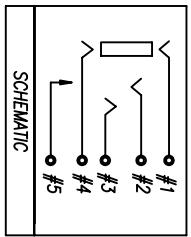
RECOMMENDED PCB LAYOUT (T:1.2mm)  
SOLDER SIDE (Tolerance:±0.05)



OPTICAL FIBRE PLUG  
TOL:±0.05mm



Ø3.5 3POLE STANDARD PLUG  
TOL:±0.05mm



REV.	ECN NO OR DESCRIPTION	REVISED	DATE
A	Product released	AMY	2007.10.11
B	ECN NO.T070326	AMY	2008.01.24

J	IC DRIVE	1	EPOXY	TIN PLATING (Lead-Free)
I	SHIELDING	1	COPPOR ALLOY	TIN PLATING 600°ON SOLDER TAIL, ALL OVER NICKEL PLATING.
H	EARTH SPRING-A	1	PHOSPHOR BRONZE	GOLD FLASH
G	EARTH SPRING-B	1	PHOSPHOR BRONZE	GOLD FLASH
F	EARTH TERMINAL	1	PHOSPHOR BRONZE	GOLD FLASH
E	TIP SPRING	1	PHOSPHOR BRONZE	GOLD FLASH
D	RING SPRING	1	PHOSPHOR BRONZE	GOLD FLASH
C	CASE	1	HIGH TEMP THERMOPLASTIC UL 94V-0	BLACK COLOR
B	COVER	1	HIGH TEMP THERMOPLASTIC UL 94V-0	BLACK COLOR
A	BODY	1	HIGH TEMP THERMOPLASTIC UL 94V-0	BLACK COLOR
NO	DESCRIPTION	QTY	MATERIAL	PLATING & COLOR

UNLESS OTHERWISE SPECIFIED TOLERANCES

Singatron Enterprise Co., Ltd.  
信音企業股份有限公司

TITLE: Ø3.5 PHONE JACK (WITH IC)

DWN: AM 2008.125 PART NO. 2SJ-D373-D01  
CHKD: LMO 2008.125 SCALE 3:1 UNIT: mm  
APVD: MAM 2008.125 SIZE: A3 SHEET: 1 OF 1 REV: B

CUSTOMER COPY

A B C D E F

1 2 3 4 5 6 7 8