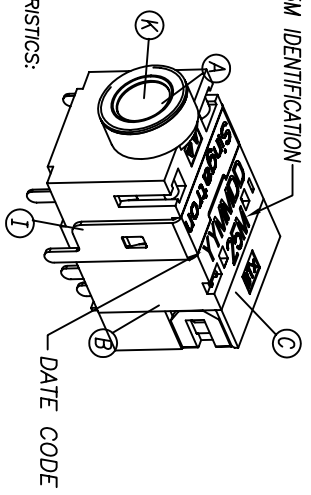
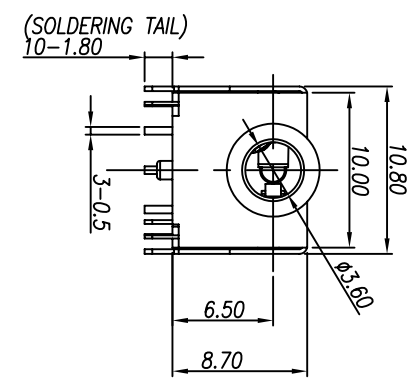
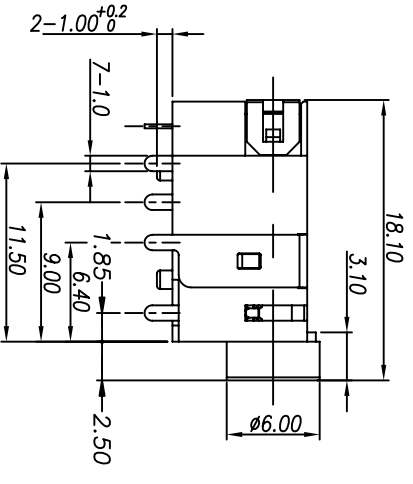
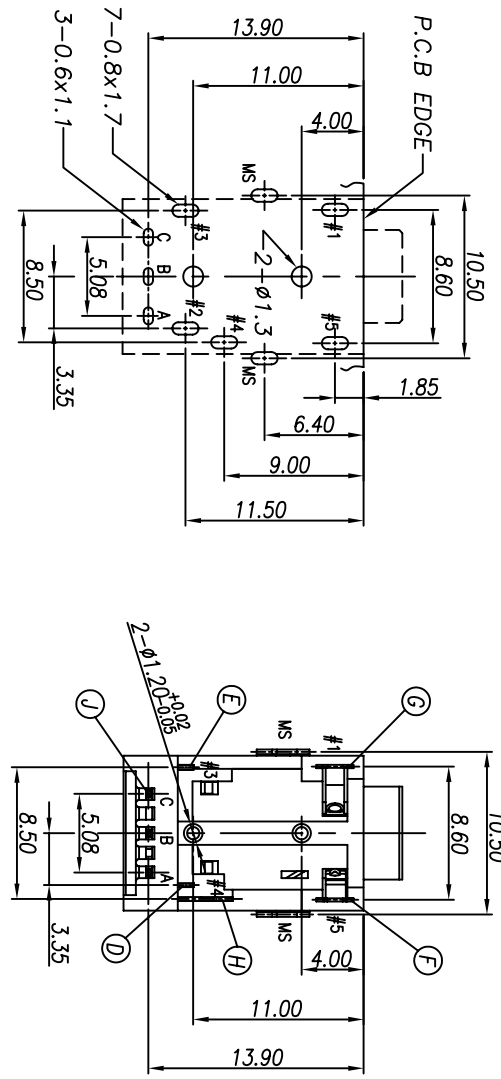


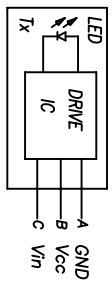
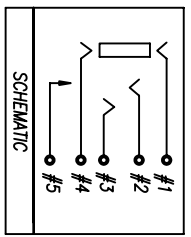
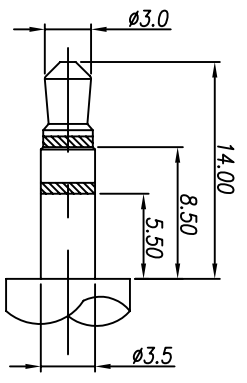
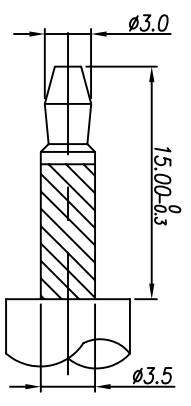
REV. ECN NO. OR DESCRIPTION	REVISED	DATE
A PRODUCT RELEASE	AMY	2008.04.14



- SPECIFICATIONS:**
- 1. ELECTRICAL CHARACTERISTICS:**
- 1-1. RATING: 12V 1A
 - 1-2. CONTACT RESISTANCE: 30mΩMAX(BEFORE)
 - 1-3. DIELECTRIC WITHSTANDING VOLTAGE: 500V AC FOR ONE MINUTE
 - 1-4. INSULATION RESISTANCE: 100M MIN. MEASURED BY 500 VDC
 - 1-5. DATA RATE : 25 Mbps
- 2. MECHANICAL CHARACTERISTICS:**
- 2-1. INSERTION FORCE : 3.5 KGF MAX.
 - 2-2. WITHDRAWAL FORCE : 0.3~4.0 KGF
- 3. LIFE TEST: 5,000 CYCLES MIN.
 - 4. PACKAGING: TAPE & REEL
 - 5. TO CONFORM TO THE SINGATRON HSF SPEC.
 - 6. GREEN PRODUCT IDENTIFICATION MARK ON JACK:
 - 7. GREEN PRODUCT IDENTIFICATION LABEL ON PACKAGING: **G.P. PASS**
 - 8. FOR LEAD-FREE PROCESS.



RECOMMENDED PCB LAYOUT 1.60T
SOLDER SIDE (Tolerance:±0.05)



K	METAL	1	BRASS	GOLD FLASH
J	IC DRIVE (25Mbps)	1	EPOXY	TIN PLATING (Lead-Free)
I	SHIELDING	1	BRASS	GOLD FLASH
H	EARTH SPRING-A	1	PHOSPHOR BRONZE	GOLD FLASH
G	EARTH SPRING-B	1	PHOSPHOR BRONZE	GOLD FLASH
F	EARTH TERMINAL	1	PHOSPHOR BRONZE	GOLD FLASH
E	TIP SPRING	1	PHOSPHOR BRONZE	GOLD FLASH
D	RING SPRING	1	PHOSPHOR BRONZE	GOLD FLASH
C	CASE	1	HIGH TEMP THERMOPLASTIC UL 94H-0	BLACK COLOR
B	COVER	1	HIGH TEMP THERMOPLASTIC UL 94H-0	BLACK COLOR
A	BODY	1	HIGH TEMP THERMOPLASTIC UL 94H-0	BLACK COLOR
NO	DESCRIPTION	QTY	MATERIAL	PLATING & COLOR

UNLESS OTHERWISE SPECIFIED TOLERANCES

Singatron Enterprise Co., Ltd.
信亨企業股份有限公司

DECIMALS:	ANGLES:	TITLE
X :±0.5	X :±2°	Ø3.5 PHONE JACK (WITH IC)
X.X :±0.3	X.X :±1°	DWN WJ 2008.4.15
X.XX :±0.2		CHKD LW 2008.4.15
		APVD WJK 2008.4.15

CUSTOMER COPY