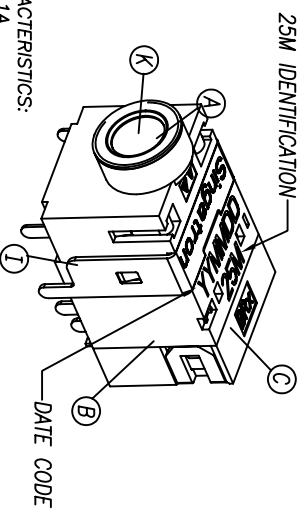

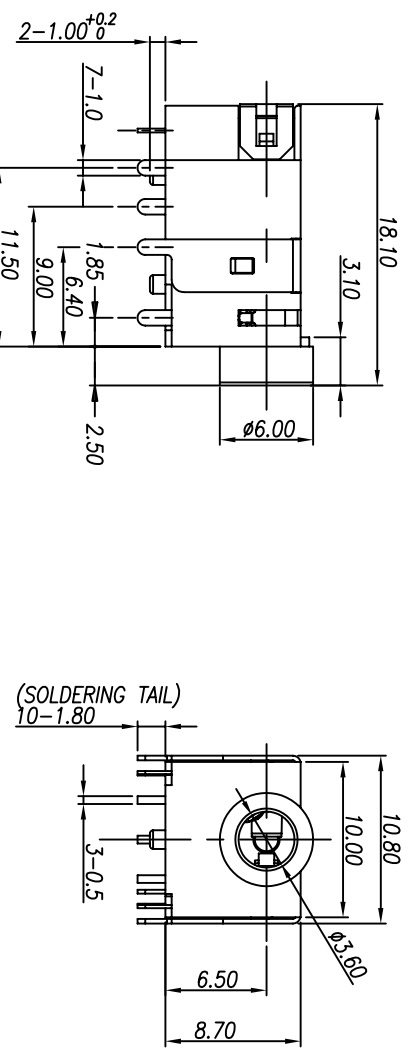
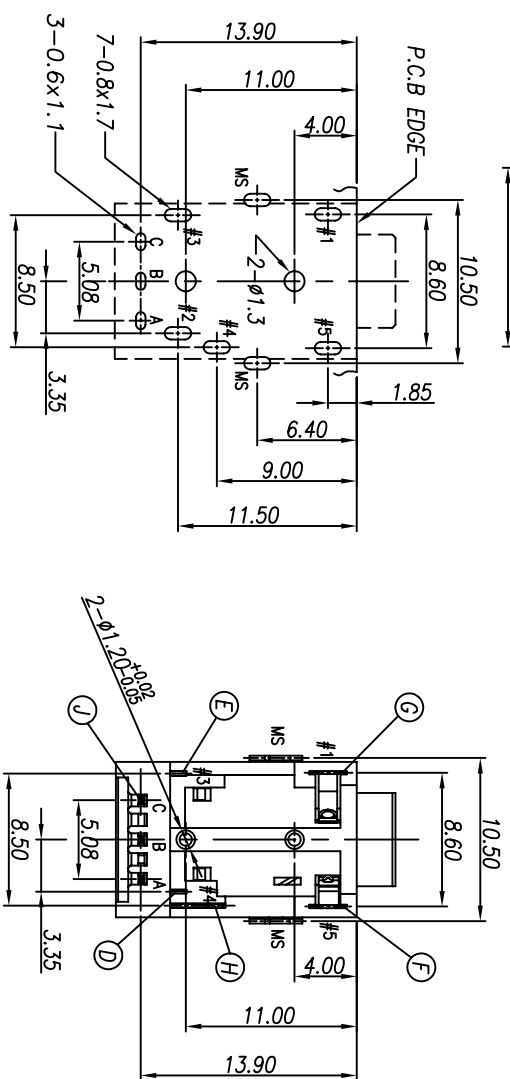


REV	ECN NO OR DESCRIPTION	REVISED	DATE
A	PRODUCT RELEASE	AMY	2008.04.14

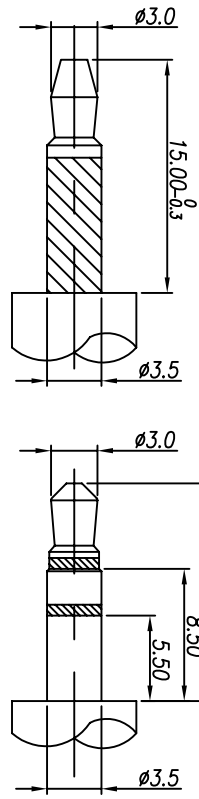


25M IDENTIFICATION

- SPECIFICATIONS:
1. ELECTRICAL CHARACTERISTICS:
- 1-1. RATING: 12V 1A
 - 1-2. CONTACT RESISTANCE: 30mΩMAX(BEFORE).
 - 1-3. DIELECTRIC WITHSTANDING VOLTAGE: 500V AC FOR ONE MINUTE
 - 1-4. INSULATION RESISTANCE: 100M Ω MIN. (MEASURED BY 500 VDC
 - 1-5. DATA RATE : 25 Mbps
2. MECHANICAL CHARACTERISTICS:
- 2-1. INSERTION FORCE : 3.5 KGF MAX.
 - 2-2. WITHDRAWAL FORCE : 0.3~4.0 KGF
3. LIFE TEST: 5,000 CYCLES MIN.
4. PACKAGING: TAPE & REEL
5. TO CONFORM TO THE SINGATRON HSF SPEC.
6. GREEN PRODUCT IDENTIFICATION MARK ON JACK: 
7. GREEN PRODUCT IDENTIFICATION LABEL ON PACKAGING: **G.P. PASS**
8. FOR LEAD-FREE PROCESS.

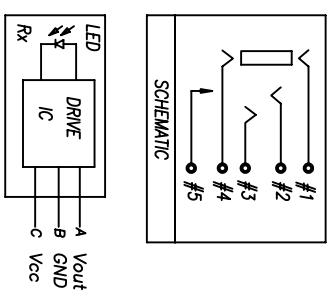


RECOMMENDED PCB LAYOUT 1.60T
SOLDER SIDE (Tolerance:±0.05)



OPTICAL FIBRE PLUG
TOL.±0.05

Ø3.5 3POLE STANDARD PLUG
TOL.±0.05



K	METAL	1	BRASS	GOLD FLASH
J	IC DRIVE (25Mbps)	1	EPOXY	TIN PLATING (Lead-Free)
I	SHIELDING	1	BRASS	GOLD FLASH
H	EARTH SPRING-A	1	PHOSPHOR BRONZE	GOLD FLASH
G	EARTH SPRING-B	1	PHOSPHOR BRONZE	GOLD FLASH
F	EARTH TERMINAL	1	PHOSPHOR BRONZE	GOLD FLASH
E	TIP SPRING	1	PHOSPHOR BRONZE	GOLD FLASH
D	RING SPRING	1	PHOSPHOR BRONZE	GOLD FLASH
C	CASE	1	HIGH TEMP THERMOPLASTIC UL 94V-0	BLACK COLOR
B	COVER	1	HIGH TEMP THERMOPLASTIC UL 94V-0	PINK COLOR
A	BODY	1	HIGH TEMP THERMOPLASTIC UL 94V-0	BLACK COLOR
NO	DESCRIPTION		MATERIAL	PLATING & COLOR

UNLESS OTHERWISE SPECIFIED TOLERANCES

DECIMALS: ANGLES:

X :±0.5 X :±2°

X.X :±0.3 X.X :±1°

X.XX :±0.2

titles

Ø3.5 PHONE JACK (WITH Rx-IC)

DWN AM 2008.4.15 PART NO. 25J-E373-103

CHKD LMO 2008.4.15 SCALE 3:1 UNITS: mm

APVD LMR 2008.4.15 SIZE: A3 SHEET: 1 OF 1 REV: A

Singatron Enterprise Co., Ltd.
信音企業股份有限公司

CUSTOMER COPY