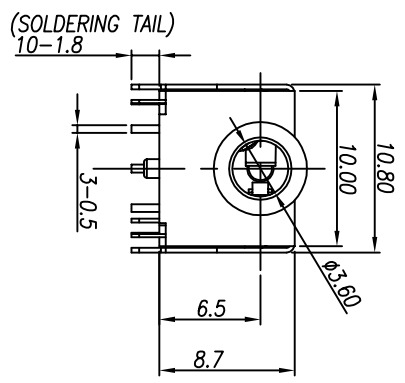
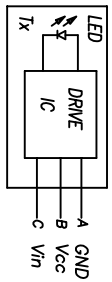
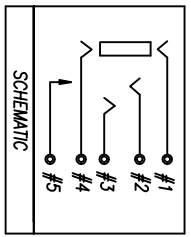


RECOMMENDED PCB LAYOUT 1.60T
SOLDER SIDE (Tolerance:±0.05)

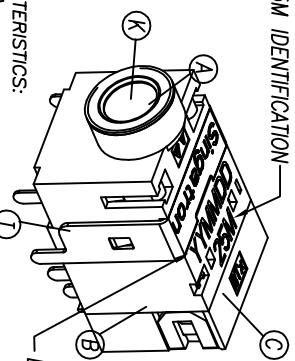
OPTICAL FIBRE PLUG
TOL.±0.05

RECOMMEND MATING PLUG

Ø3.5 3POLE STANDARD PLUG
TOL.±0.05



25M IDENTIFICATION



- SPECIFICATIONS:**
- ELECTRICAL CHARACTERISTICS:
 - 1-1. RATING: 12V 1A
 - 1-2. CONTACT RESISTANCE: 30mΩ MAX(INITIAL).
 - 1-3. DIELECTRIC WITHSTANDING VOLTAGE: 500V AC FOR ONE MINUTE
 - 1-4. INSULATION RESISTANCE: 100MΩ MIN. MEASURED BY 500 VDC
 - 1-5. DATA RATE : 25 Mbps
 - MECHANICAL CHARACTERISTICS:
 - 2-1. INSERTION FORCE : 3.5 KGF MAX.
 - 2-2. WITHDRAWAL FORCE : 0.3~4.0 KGF
 - LIFE TEST: 5,000 CYCLES MIN.
 - PACKAGING: TAPE & REEL
 - TO CONFORM TO SINGATRON HAZARDOUS SUBSTANCE FREE SPEC.
 - GREEN PRODUCT IDENTIFICATION MARK ON JACK:
 - GREEN PRODUCT IDENTIFICATION LABEL ON PACKAGING:
 - FOR LEAD-FREE PROCESS.

REV	ECN NO	OR DESCRIPTION	REVISED	DATE
A	PDR No.:	T081201-2A	Sidney	2009.02.19

NO	DESCRIPTION	QTY	MATERIAL	PLATING & COLOR
K	METAL	1	BRASS	Ni60 *min Cu#30u *min
J	IC DRIVE (25Mbps)	1	EPOXY	TIN PLATING (Lead-Free)
I	SHIELDING	1	BRASS	Sn1.5um Min ON SOLDER TAIL ALL OVER Ni1.5um Min.
H	EARTH SPRING-A	1	PHOSPHOR BRONZE	GOLD FLASH OVER ALL 50u * Ni
G	EARTH SPRING-B	1	PHOSPHOR BRONZE	GOLD FLASH OVER ALL 50u * Ni
F	EARTH TERMINAL	1	PHOSPHOR BRONZE	GOLD FLASH OVER ALL 50u * Ni
E	TIP SPRING	1	PHOSPHOR BRONZE	GOLD FLASH OVER ALL 50u * Ni
D	RING SPRING	1	PHOSPHOR BRONZE	GOLD FLASH OVER ALL 50u * Ni
C	CASE	1	HIGH TEMP THERMOPLASTIC UL 94V-0	GRAY (430C)
B	COVER	1	HIGH TEMP THERMOPLASTIC UL 94V-0	GRAY (430C)
A	BODY	1	HIGH TEMP THERMOPLASTIC UL 94V-0	GRAY (430C)

DECIMALS:	ANGLES:
X : ±0.5	X : ±2
X.X : ±0.3	X.X : ±1
X.XX : ±0.2	
X.XXX : ±0.1	

TITLE	Ø3.5 PHONE JACK (WITH IC)
DWN	2009.02.19
CHKD	2009.02.24
APVD	2009.02.24
SCALE	3:1
SIZE	A3
SHEET	1 OF 1
REV	A

Singatron Enterprise Co., Ltd.
信登企業股份有限公司

CUSTOMER COPY