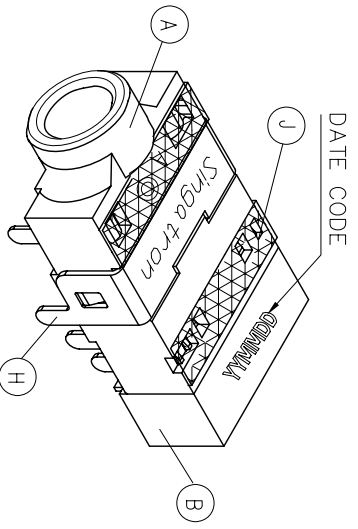
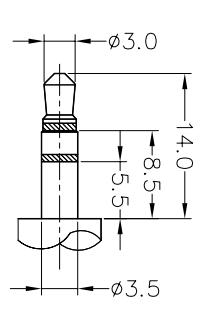
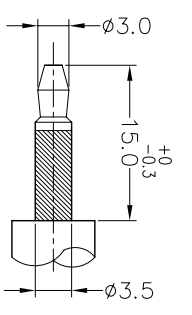


RECOMMENDED PCB LAYOUT  
TOP VIEW (TOLERANCE: ±0.05)



- SPECIFICATIONS:
- ELECTRICAL CHARACTERISTICS:
    - 1-1. RATING: 12V 1A
    - 1-2. CONTACT RESISTANCE: 30mΩ MAX (INITIAL).
    - 1-3. DIELECTRIC VOLTAGE WITHSTAND: 500V AC FOR ONE MINUTE
    - 1-4. INSULATION RESISTANCE: 100MΩ MIN. MEASURED BY 500 VDC
  - MECHANICAL CHARACTERISTICS:
    - 2-1. INSERTED FORCE : 3.5 KG MAX.
    - 2-2. WITHDRAWAL FORCE : 0.3~4.0 KG.
  - LIFE TEST: 5,000 CYCLES MIN.
  - PACKAGING: TAPE & REEL
  - TO CONFORM TO SINGATRON HAZARDOUS SUBSTANCE FREE SPEC.
  - HALOGEN FREE PRODUCT IDENTIFICATION MARK ON PRODUCT:
  - HALOGEN FREE PRODUCT IDENTIFICATION LABEL ON PACKAGING:
  - FOR LEAD-FREE PROCESS.



OPTICAL FIBER PLUG  
RECOMMEND MATING PLUG  
1:2 SCALE

|  |                   |          |                                  |   |
|--|-------------------|----------|----------------------------------|---|
| J  | NYLAR FILM        | 2        | N/A                              | N/A   |
| I  | IC DRIVE          | 1        | EPXY/GDA-C19400                  | Sn 120u", Ni50u"                                |
| H  | SHIELDING         | 1        | COPPER ALLOY, 0.3t               | 60u" Sn ON SOLDER TAIL;<br>Ni UNDERPLATING 50u" |
| G  | EARTH SPRING-A    | 1        | PHOSPHOR BRONZE, 0.25t           | GOLD FLASH; OVER ALL 50u" Ni                    |
| F  | EARTH SPRING-B    | 1        | PHOSPHOR BRONZE, 0.2t            | GOLD FLASH; OVER ALL 50u" Ni                    |
| E  | EARTH TERMINAL    | 1        | PHOSPHOR BRONZE, 0.2t            | GOLD FLASH; OVER ALL 50u" Ni                    |
| D  | TIP SPRING        | 1        | PHOSPHOR BRONZE, 0.25t           | GOLD FLASH; OVER ALL 50u" Ni                    |
| C  | RING SPRING       | 1        | PHOSPHOR BRONZE, 0.25t           | GOLD FLASH; OVER ALL 50u" Ni                    |
| B  | CASE              | 1        | HIGH TEMP.THERMOPLASTIC(U94 V-0) | BLACK   |
| A  | BODY              | 1        | HIGH TEMP.THERMOPLASTIC(U94 V-0) | BLACK   |
| NO   | DESCRIPTION       | QTY      | MATERIAL                         | PLATING & COLOR                                 |
| UNLESS OTHERWISE SPECIFIED TOLERANCES        |                   |          |                                  |   |
| Singatron Enterprise Co., Ltd.<br>信登企業股份有限公司 |                   |          |                                  |   |
| DECIMALS: ANGLES:                            |                   |          |                                  |   |
| X  | :±0.5             | X        | :±2°                             |   |
| X.X  | :±0.3             | X.X      | :±1°                             |   |
| X.XX   | :±0.2             |          |                                  |   |
| TITLE: <b>φ3.5 PHONE JACK (WITH IC)</b>      |                   |          |                                  |   |
| DWN  | Sidney 2009.08.14 | PART NO. | 2SJ3011-002111                   |   |
| CHKD   | Luzsen 2009.08.17 | SCALE:   | 4:1                              | UNIT: mm  |
| APVD   | Mwu 2009.08.18    | SIZE:    | A3                               | SHEET: 1 OF 1 REV:A                             |
| CUSTOMER COPY                                |                   |          |                                  |   |