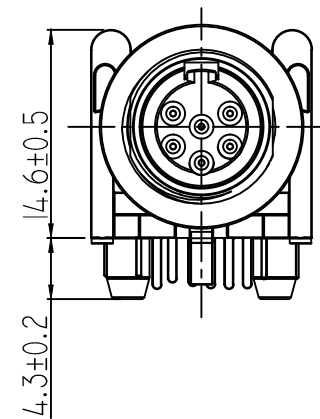
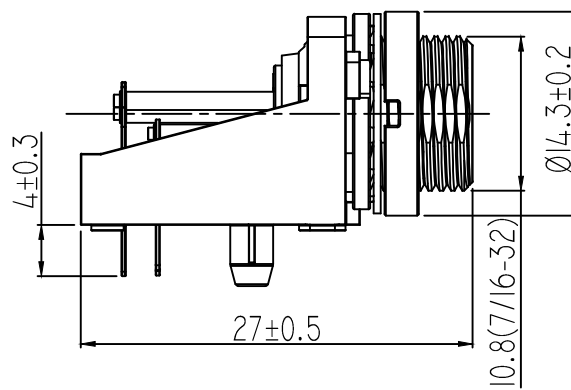
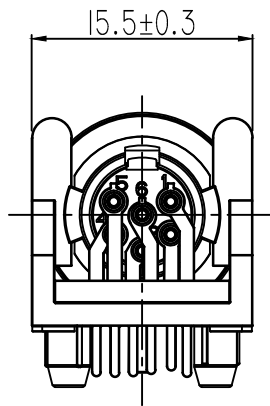
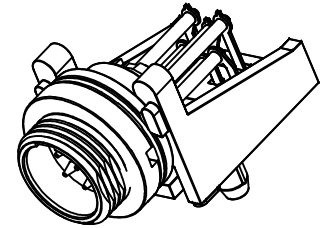
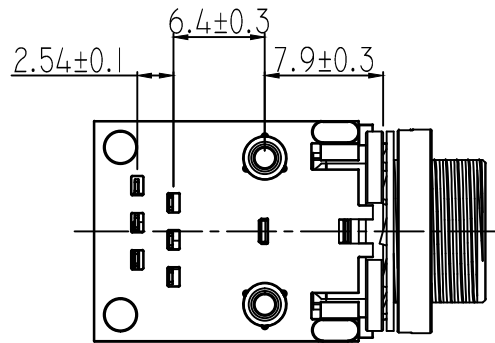


Panel cut out (Front side)



Singatron Enterprise Co., Ltd.

TITLE	6-PIN SOCKET		
DWN	Andy Lin	PART NO.	2XR-09M808-6PH
CHKD	Jacky Lin	SCALE	1:1 UNIT: mm
APVD	2013/08/06	SIZE	A3 SHEET: 1 OF 1 REV:

CUSTOMER COPY