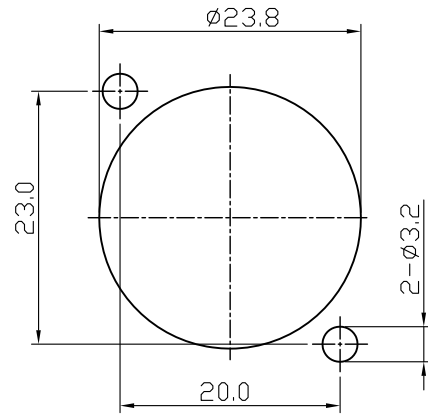


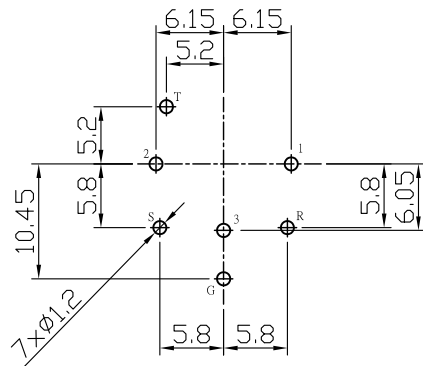
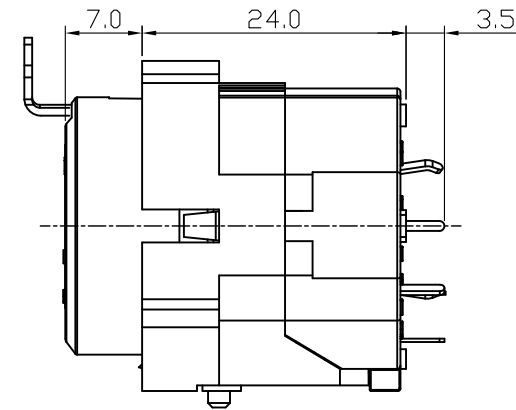
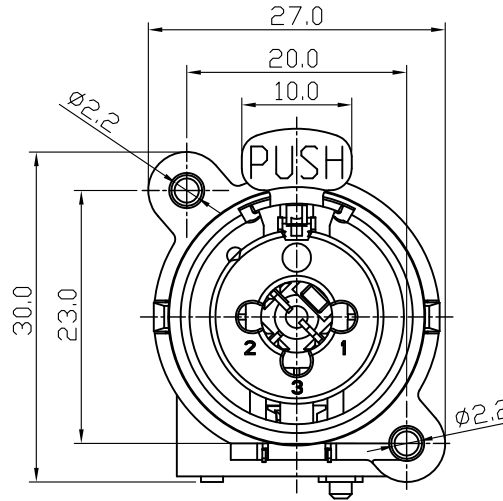
**正式**

變更記號	變更日期	ECN NO.	REV.	說明	擔當者
△					

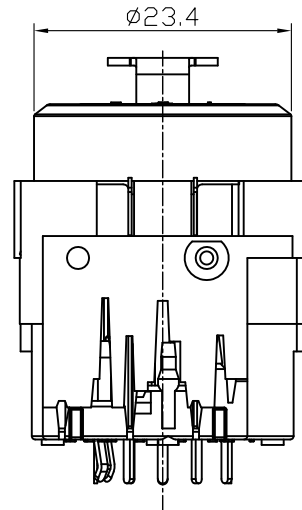
**RoHS**  
Compliant



Panel cut out (front side)



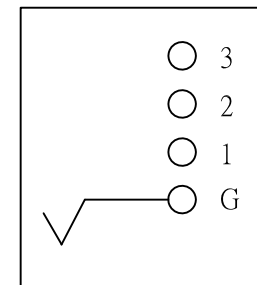
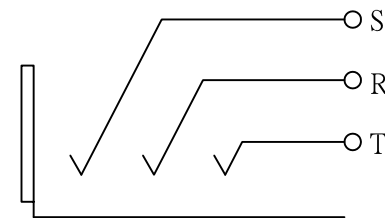
PCB-LAYOUT (TOP VIEW)



NORMALLING-SCHEMES

XLR

JACK- NORMALLING



9	GROUND	1	P. B. S.	Ag
8	SPRING	1	SK7	Ni
7	PUSH	1	SK7	Ni
6	XLR CONTACT	3	P. B. S.	Au
5	TIP	1	P. B. S.	Ag
4	RING	1	P. B. S.	Ag
3	SLEEVE	1	P. B. S.	Ag
2	BACK COVER	1	NYLON	BLACK
1	BODY	1	NYLON	BLACK
NO	PART NAME	Q' TY	MATERIAL	PLATING&COLOR

UNLESS OTHERWISE SPECIFIED TOLERANCES

DECIMALS :  
X : ±0.50  
X.X : ±0.30  
X.XX : ±0.15

ANGLES :  
X° : ±5°  
X.X° : ±3°

**SINGATRON (U.S.A.)**

PART NAME	6.4MM PHONE & XLR JACK			DRAWN DATE	2010.01.13
MATERIAL	PART NO : 2XR-K6X01V-3RT-3APN			APPROVED	Jacky
THICKNESS	SCALE : 1.5 : 1	SIZE : A4	UNIT : mm	CHECKED	Jacky
PLATED COLOR	REV : A	SHEET : 1 of 1	DRAWN	Roy	