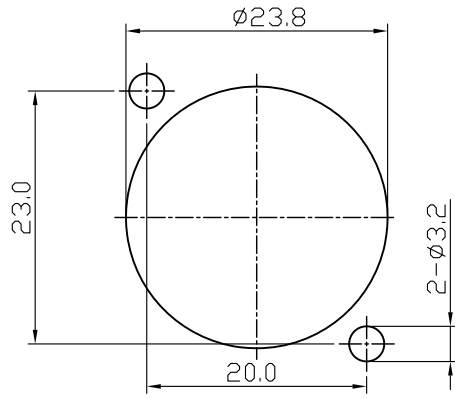
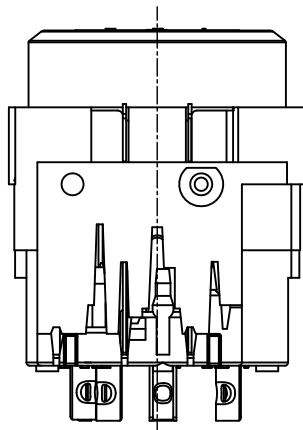
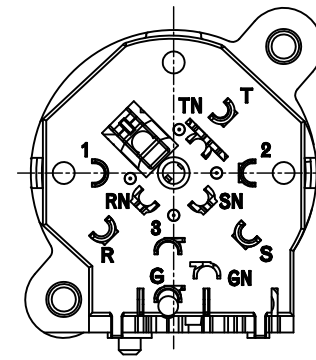
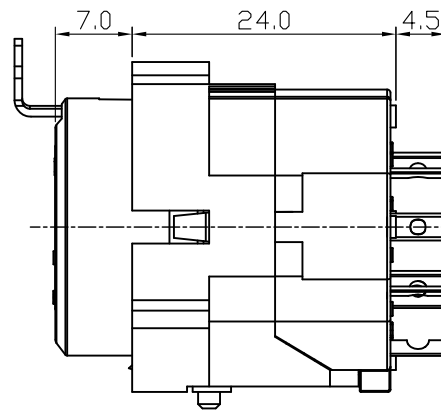
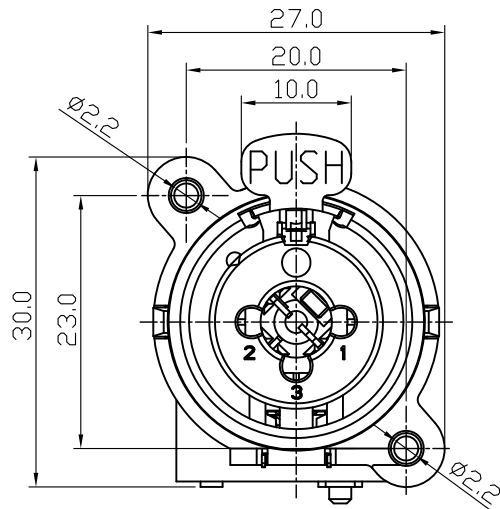


變更記號	變更日期	ECN NO.	REV.	說明	擔當者
△					

正式

RoHS
Compliant

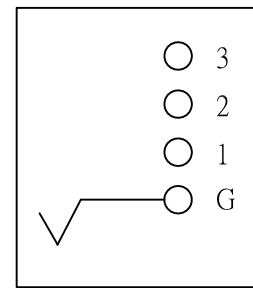
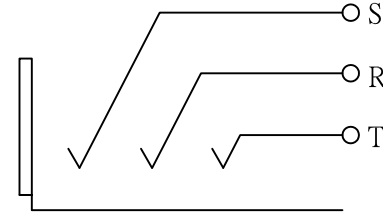


Panel cut out (front side)

NORMALLING-SCHEMES

XLR

JACK- NORMALLING



9	GROUND	1	P.B.S.	Ag
8	SPRING	1	SK7	Ni
7	PUSH	1	SK7	Ni
6	XLR CONTACT	3	P.B.S.	Au
5	RING	1	P.B.S.	Ag
4	TIP	1	P.B.S.	Ag
3	SLEEVE	1	P.B.S.	Ag
2	BACK COVER	1	NYLON	BLACK
1	BODY	1	NYLON	BLACK
NO	PART NAME	Q'TA	MATERIAL	PLATING&COLOR

UNLESS OTHERWISE SPECIFIED TOLERANCES

DECIMALS :
 X : ±0.50
 X.X : ±0.30
 X.XX : ±0.15
 ANGLES :
 X° ±5°
 X.X° ±3°

SINGATRON (U.S.A.)					
PART NAME	6.4MM PHONE & XLR JACK			DRAWN DATE	2010.01.13
MATERIAL	PART NO : 2XR-K6X01VW-3RT-3APN			APPROVED	Jacky
THICKNESS	SCALE : 1.5 : 1	SIZE : A4	UNIT : mm	CHECKED	Jacky
PLATED COLOR		REV : A	SHEET : 1 of 1	DRAWN	Roy