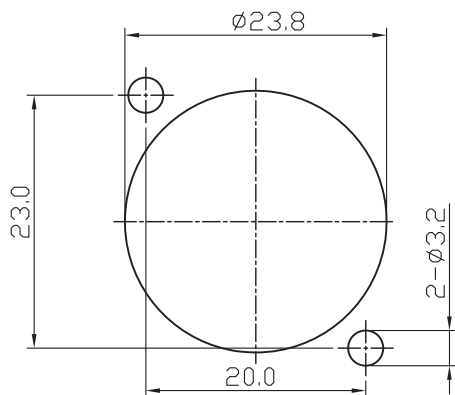
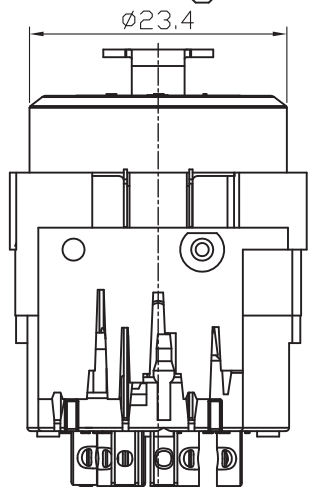
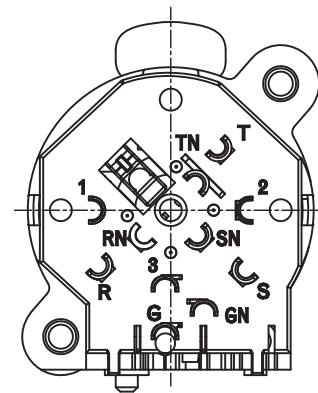
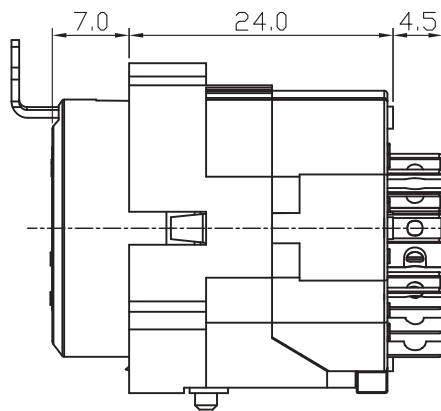
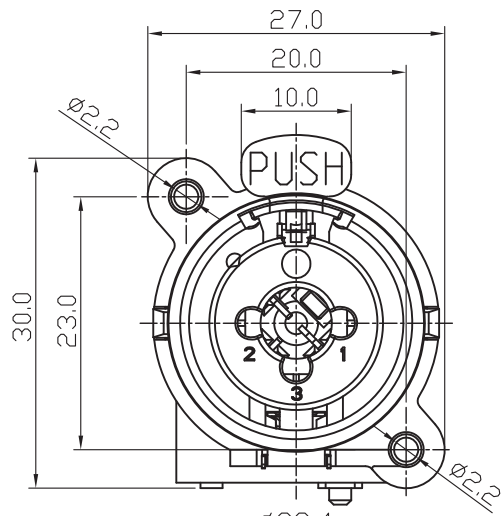


變更記號	變更日期	ECN NO.	REV.	說明	擔當者
△					

**正式**

**RoHS**  
Compliant

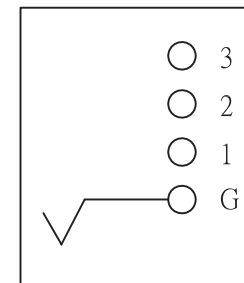
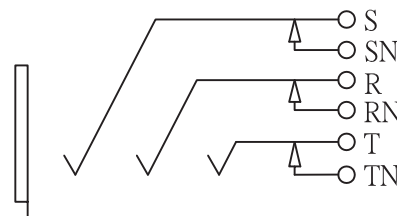


Panel cut out (front side)

NORMALLING-SCHEMES

XLR

JACK- NORMALLING



12	GROUND	1	P. B. S.	Ag
11	SPRING	1	SK7	Ni
10	PUSH	1	SK7	Ni
9	XLR CONTACT	3	P. B. S.	Au
8	TIP SHUNT	1	BRASS	Au
7	TIP	1	P. B. S.	Ag
6	RING SHUNT	1	BRASS	Au
5	RING	1	P. B. S.	Ag
4	SLEEVE SHUNT	1	BRASS	Au
3	SLEEVE	1	P. B. S.	Ag
2	BACK COVER	1	NYLON	BLACK
1	BODY	1	NYLON	BLACK
NO	PART NAME	Q' TY	MATERIAL	PLATING&COLOR

UNLESS OTHERWISE SPECIFIED TOLERANCES

DECIMALS :  
X : ±0.50  
X.X : ±0.30  
X.XX : ±0.15

ANGLES :  
X° : ±5°  
X.X° : ±3°

**SINGATRON (U.S.A.)**

PART NAME	6.4MM PHONE & XLR JACK			DRAWN DATE	2010.01.13
MATERIAL	PART NO : 2XR-K6X01VW-63APN			APPROVED	Jacky
THICKNESS	SCALE :	SIZE :	UNIT :	CHECKED	Jacky
PLATED COLOR	1.5 : 1	A4	mm	DRAWN	Roy
	REV :	SHEET :			
	A	1 of 1			