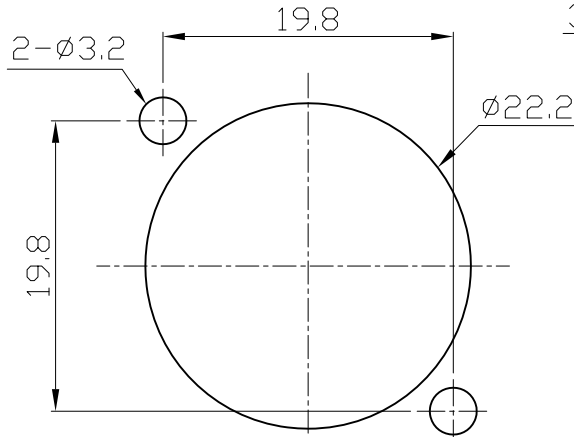
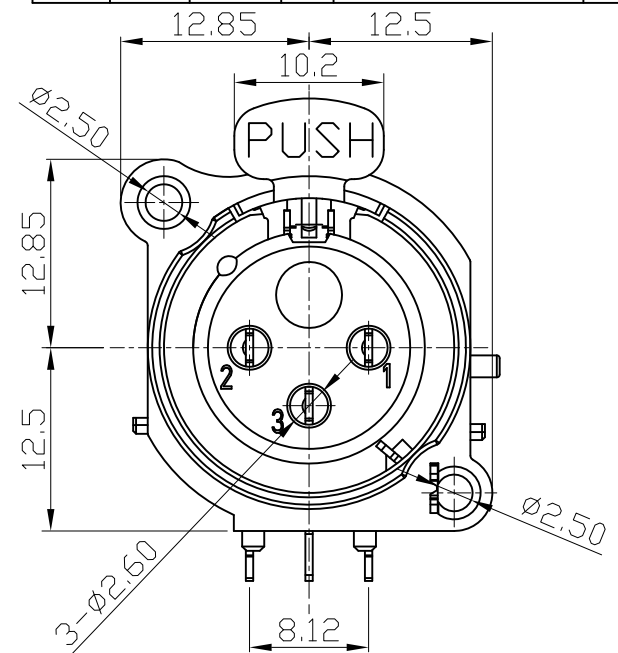
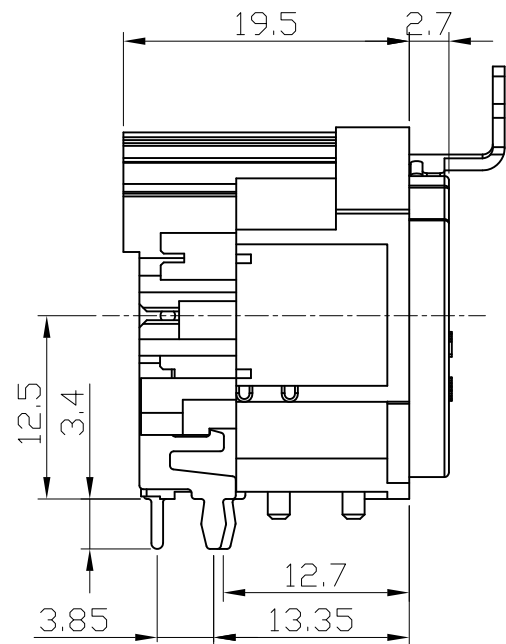
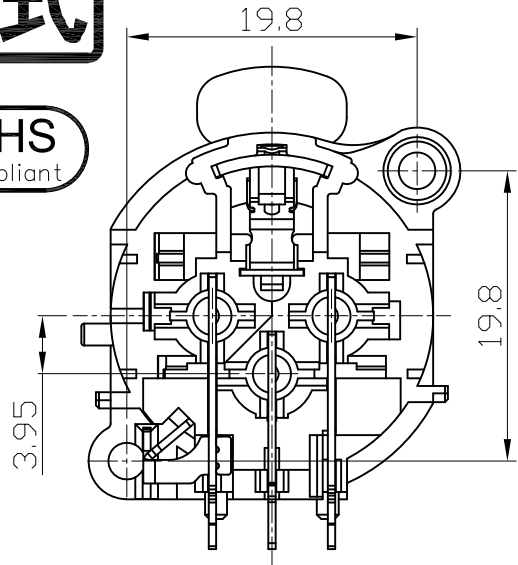
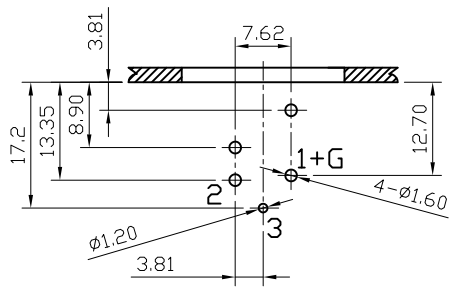


正式

RoHS
Compliant



Panel cut out(±0.1)
(front side)



P.C.B LAYOUT(±0.1)
(BOTTOM VIEW)(SCALE 4 : 1)

變更記號	變更日期	ECN NO.	REV.	說	明	擔當者
△						

5	SLEEVE	1	P. B. S.	Ag
4	CONTACT	3	P. B. S.	Au
3	PUSH	1	SK7	Ni
2	LOCK	1	SK7	Ni
1	BODY	1	NYLON	BLACK
NO	PART NAME	Q' TY	MATERIAL	PLATING & COLOR

UNLESS OTHERWISE SPECIFIED TOLERANCES		SINGATRON (U.S.A.)			
DECIMALS :		PART NAME		DRAWN DATE	
X	: ±0.50	XLR CONNECTOR		2009. 01. 19	
X.X	: ±0.30	MATERIAL		APPROVED	
X.XX	: ±0.15	THICKNESS		Jacky	
ANGLES :		PART NO :		SCALE :	
X°	±5°	2XR-KX03F-3HAPN		SIZE :	UNIT :
X.X°	±3°	PLATED COLOR		2 : 1	A4 mm
		REV :		SHEET :	
		A		1 of 1	
		DRAWN		Roy	