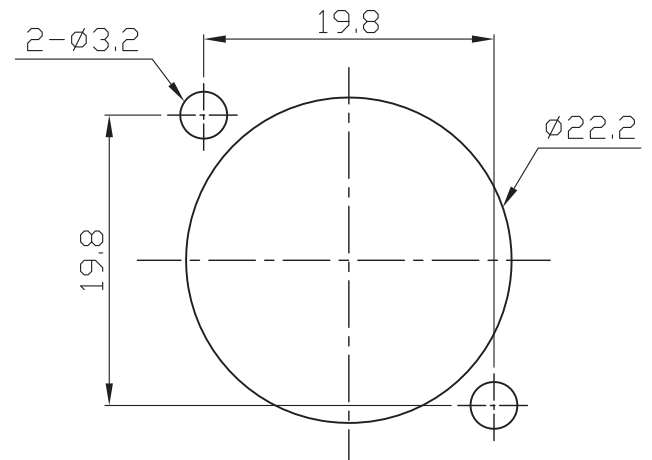
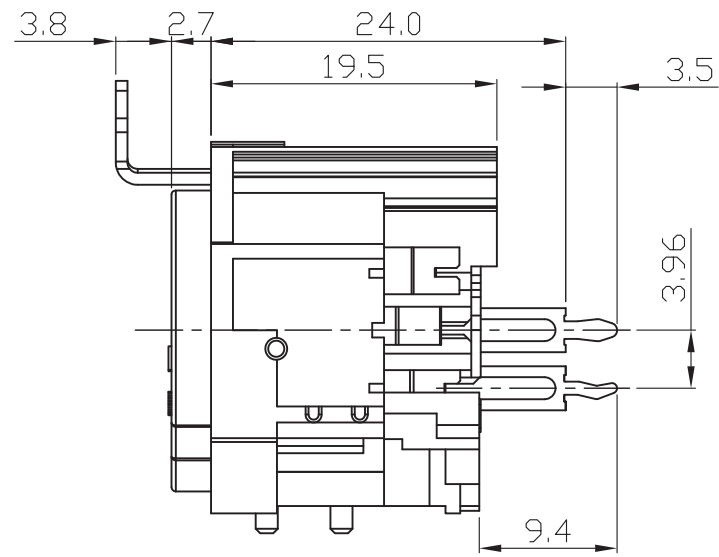
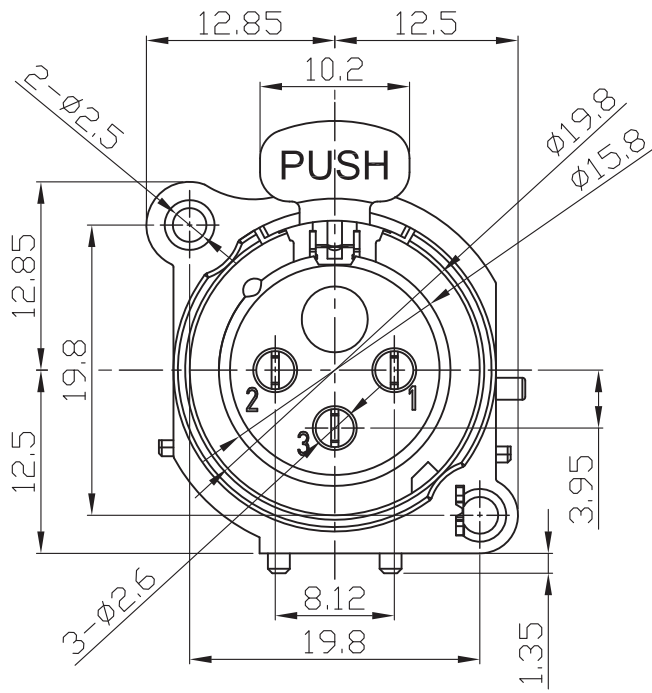


正式

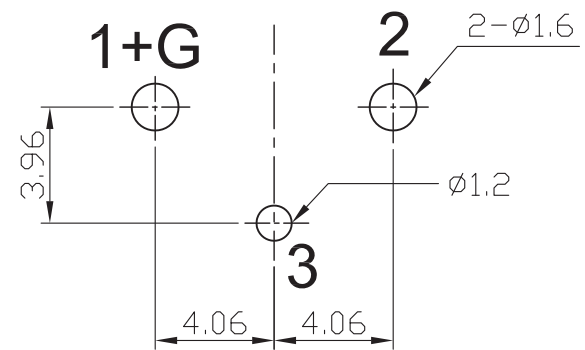
RoHS
Compliant

變更記號	變更日期	ECN NO.	REV.	記	明	擔當者
△						

A
B
C
D



PANEL CUT OUT
FRONT SIDE



P.C.B LAYOUT
(BOTTOM VIEW)(SCALE 4:1)

5	SLEEVE	1	P. B. S.	Ag
4	CONTACT	3	P. B. S.	Au
3	PUSH	1	SK7	Ni
2	LOCK	1	SK7	Ni
1	BODY	1	NYLON	BLACK
NO	PART NAME	Q' TY	MATERIAL	PLATING & COLOR

UNLESS OTHERWISE SPECIFIED TOLERANCES		SINGATRON (U.S.A.)			
DECIMALS :	PART NAME	XLR CONNECTOR		DRAWN DATE	2009. 02. 09
X : ±0.50	MATERIAL	PAPT NO : 2XR-KX03F-3VAPN		APPROVED	Jacky
X.X : ±0.30	THICKNESS	SCALE :	SIZE :	UNIT :	CHECKED
X.XX : ±0.15	PLATED COLOR	2 : 1	A4	mm	Jacky
ANGLES :			REV :	SHEET :	DRAWN
X° ±5°			A	1 of 1	Roy
X.X° ±3°					

1 2 3 4 5 6

A
B
C
D