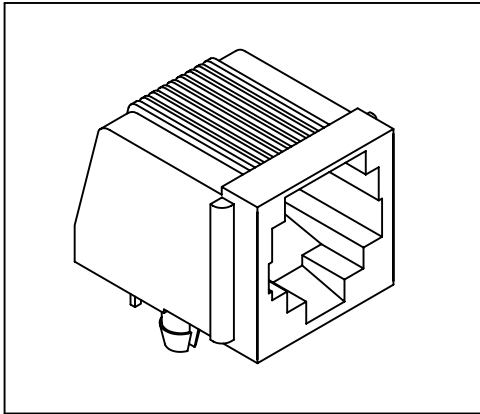


# Side Entry Modular Telephone Jack

(Flangeless)

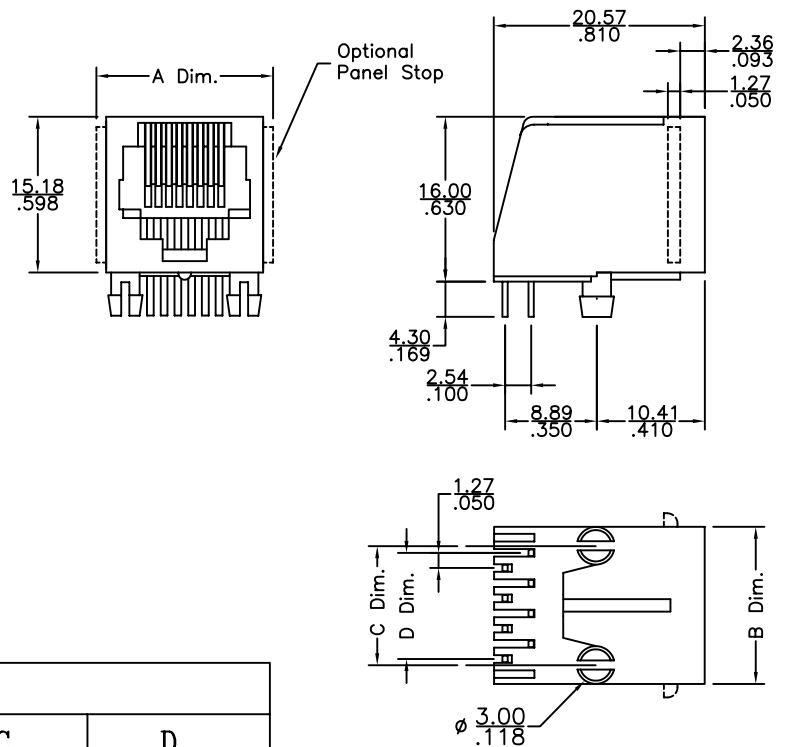
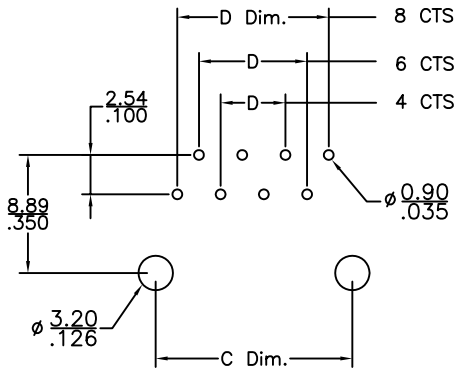
3001 Series



## Material and Finish:

- \* Housing: Standard Material: Glass Filled Polyester UL94V-0.  
Standard Color: Black.
- \* Contact: 0.35mm Thickness Phosphor Bronze.  
Gold Plating over Nickel.  
Gold Flash in Solder Area.
- \* Cavity conforms to FCC rules and regulations part 68, subpart F.
- \* RoHS compliant.

## P.C.B. Hole Layout



NO.Of Positions	Dimension			
	A	B	C	D
4	13.72 .540	11.18 .440	7.62 .300	3.81 .150
6	15.75 .620	13.21 .520	10.16 .400	6.35 .250
8	17.78 .700	15.24 .600	11.43 .450	8.89 .350

## Ordering Information

Series No.	Panel Stop	No. of Position	No. of Contact	Keyed	Contact Plating
3001	F	8	8	2	1
	With Panel Stop <input type="checkbox"/> F	<input type="checkbox"/> 4	<input type="checkbox"/> 2	With key <input type="checkbox"/> 1	6 $\mu$ " <input type="checkbox"/> 1
	w/o Panel Stop <input type="checkbox"/> L	<input type="checkbox"/> 6	<input type="checkbox"/> 4	w/o key <input type="checkbox"/> 2	15 $\mu$ " <input type="checkbox"/> 2
		<input type="checkbox"/> 8	<input type="checkbox"/> 6		30 $\mu$ " <input type="checkbox"/> 3
			<input type="checkbox"/> 8		50 $\mu$ " <input type="checkbox"/> 4