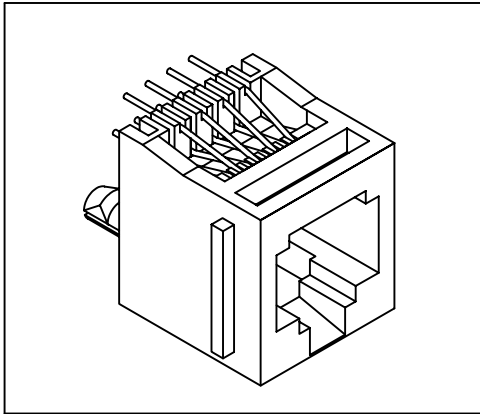


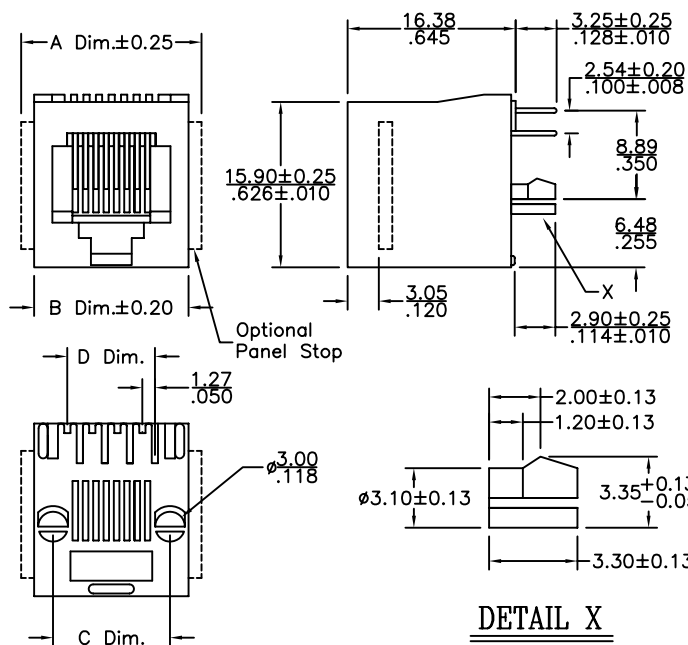
Top Entry Modular Telephone Jack

3002 Series

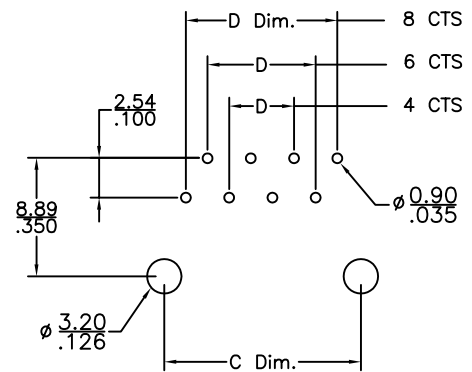


Material and Finish:

- * Housing: PBT Polyester UL94V-0 Mixed Glass Fiber.
Standard Color: Black.
- * Contact: 0.45mm(0.018") Diameter Round Phosphor Bronze.
Gold Plating over Nickel.
- * Cavity conforms to FCC rules and regulations part 68,
subpart F.
- * RoHS compliant.



P.C.B. Hole Layout



NO. Of Positions	Dimension			
	A	B	C	D
4	13.80 .543	11.43 .450	7.62 .300	3.81 .150
6	15.90 .626	13.46 .530	10.16 .400	6.35 .250
8	17.90 .705	15.50 .610	11.43 .450	8.89 .350

Ordering Information

Series No.	Panel Stop	No. of Position	No. of Contact	Keyed	Contact Plating
3002	F	6	4	2	1
	With Panel Stop <input type="checkbox"/> F	<input type="checkbox"/> 4	<input type="checkbox"/> 2	With key <input type="checkbox"/> 1	6 μ" <input type="checkbox"/> 1
	w/o Panel Stop <input type="checkbox"/> L	<input type="checkbox"/> 6	<input type="checkbox"/> 4	w/o key <input type="checkbox"/> 2	15 μ" <input type="checkbox"/> 2
		<input type="checkbox"/> 8	<input type="checkbox"/> 6		30 μ" <input type="checkbox"/> 3
			<input type="checkbox"/> 8		50 μ" <input type="checkbox"/> 4