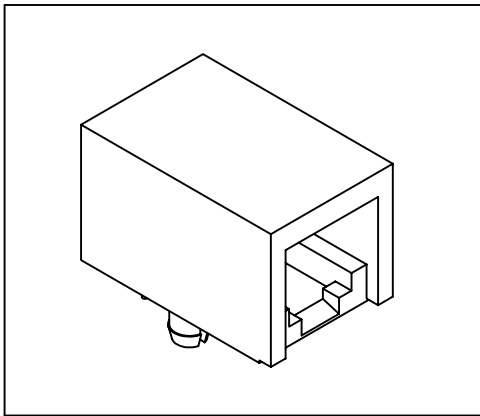


# Side Entry Modular Telephone Jack

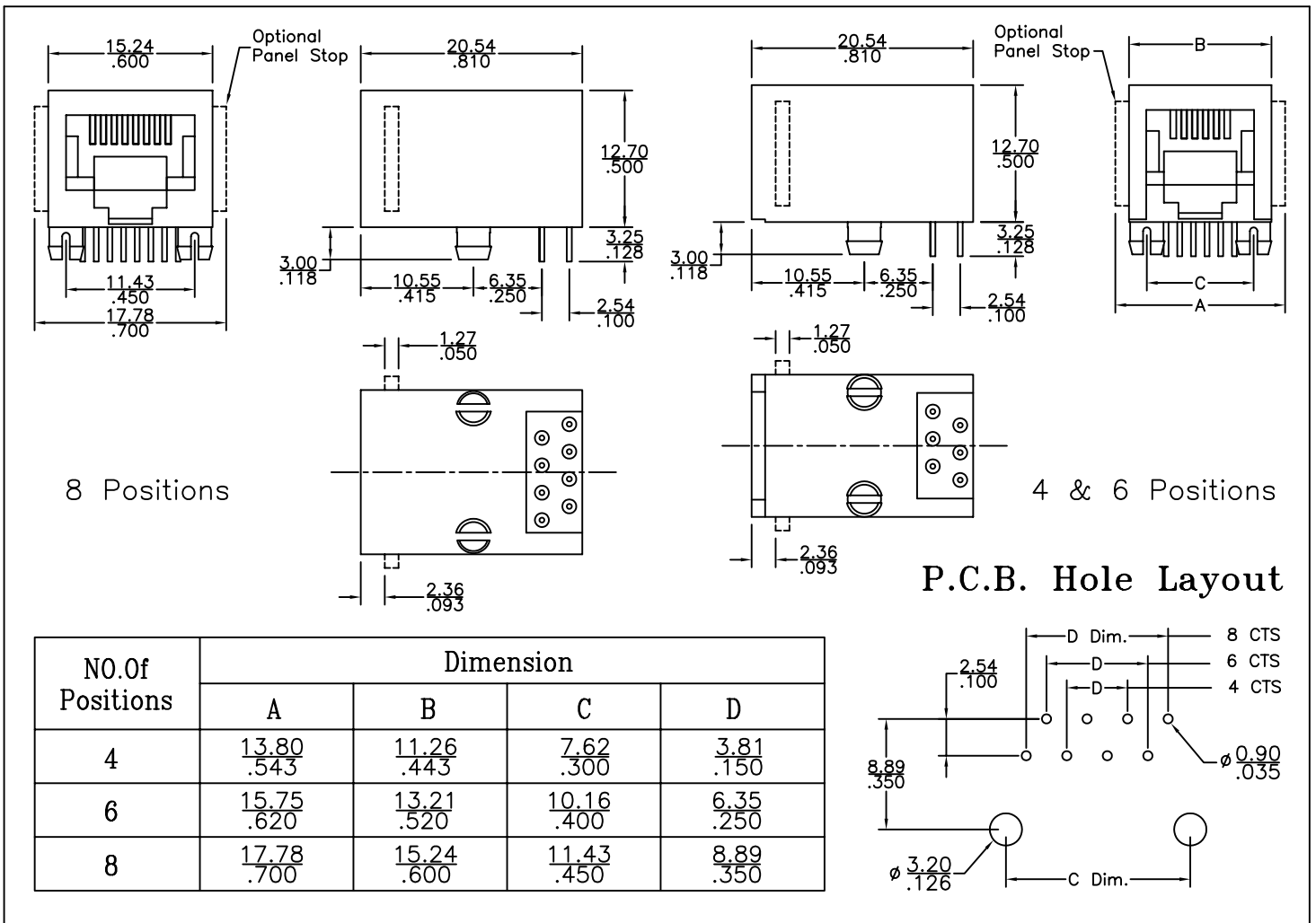
(Low Profile)

3003 Series



## Material and Finish:

- \* Housing: PBT Polyester UL94V-0.  
Standard Color: Black.
- \* Contact: 0.45mm Diameter Round Phosphor Bronze.  
Gold Plating over Nickel.  
0.35mm Thickness Flat Phosphor Bronze.  
Gold Plating over Nickel and Tin in Solder Area.
- \* Cavity conforms to FCC rules and regulations part 68, subpart F.
- \* RoHS compliant.



## Ordering Information

Series No.	Panel Stop	No. of Position	No. of Contact	Keyed	Contact Plating	Contacts Type
3003	F	8	8	2	1	R
	With Panel Stop <input type="checkbox"/> F	<input type="checkbox"/> 4	<input type="checkbox"/> 2	w/o key <input type="checkbox"/> 2	6 $\mu$ " <input type="checkbox"/> 1	Round Contacts <input type="checkbox"/> R
	w/o Panel Stop <input type="checkbox"/> L	<input type="checkbox"/> 6	<input type="checkbox"/> 4		15 $\mu$ " <input type="checkbox"/> 2	Flat Contacts <input type="checkbox"/> F
		<input type="checkbox"/> 8	<input type="checkbox"/> 6		30 $\mu$ " <input type="checkbox"/> 3	
			<input type="checkbox"/> 8		50 $\mu$ " <input type="checkbox"/> 4	