

Side Entry Modular Telephone Jack

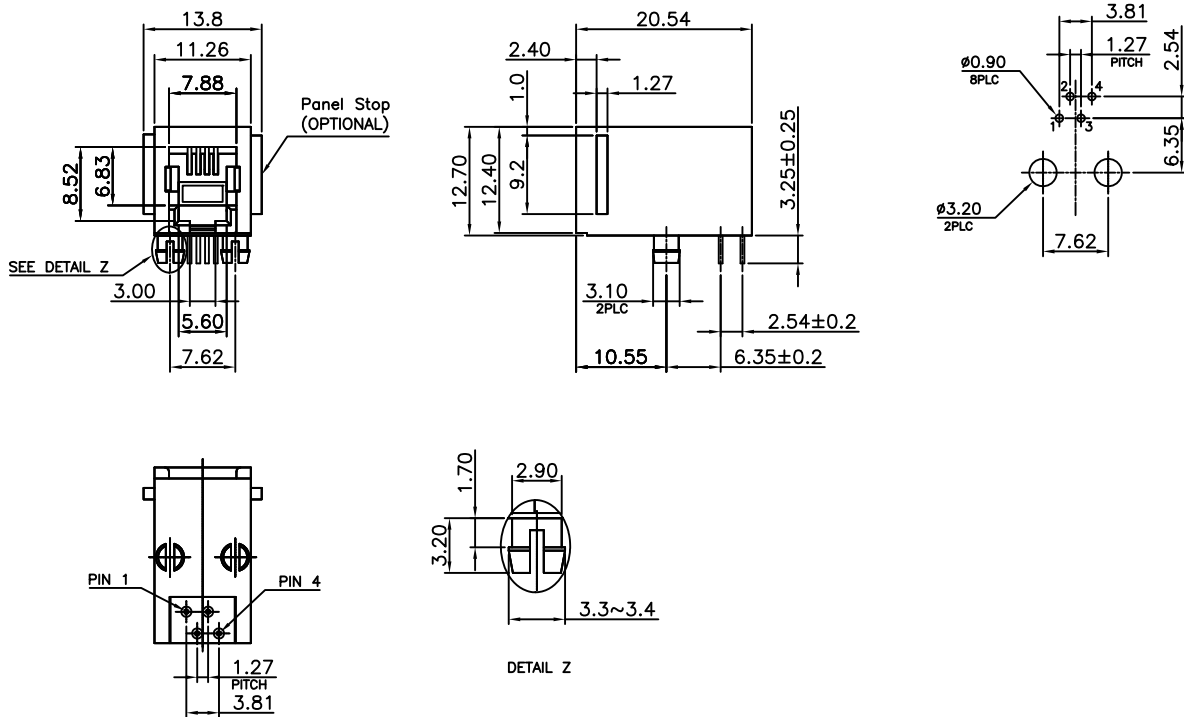
(Low Profile)

3003 Series

Material and Finish:

- * Housing: PBT with Glass Fiber, UL94V-0
Standard Color: Black.
- * Contact: Phosphor Bronze.
Gold Plated on Entire Contact, 50u" Min. Nickel underplated overall.
- * Cavity conforms to FCC rules and regulations part 68, subpart F.
- * RoHS compliant.

P.C.B. Hole Layout



Tolerance: $\pm 0.30\text{mm}$

Ordering Information

Series No.	Panel Stop	No. of Position	No. of Contact	Keyed	Contact Plating	Contacts Type
3003	F	4	4	2	1	R
	With Panel Stop <input type="checkbox"/> F	<input type="checkbox"/> 4	<input type="checkbox"/> 2	w/o key <input type="checkbox"/> 2	6 μ " <input type="checkbox"/> 1	Round Contacts <input type="checkbox"/> R
	w/o Panel Stop <input type="checkbox"/> L		<input type="checkbox"/> 4		15 μ " <input type="checkbox"/> 2	
					30 μ " <input type="checkbox"/> 3	
					50 μ " <input type="checkbox"/> 4	