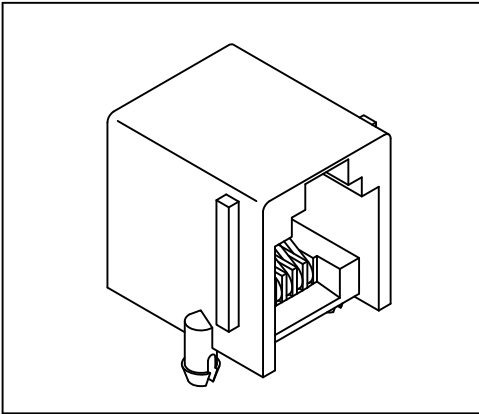


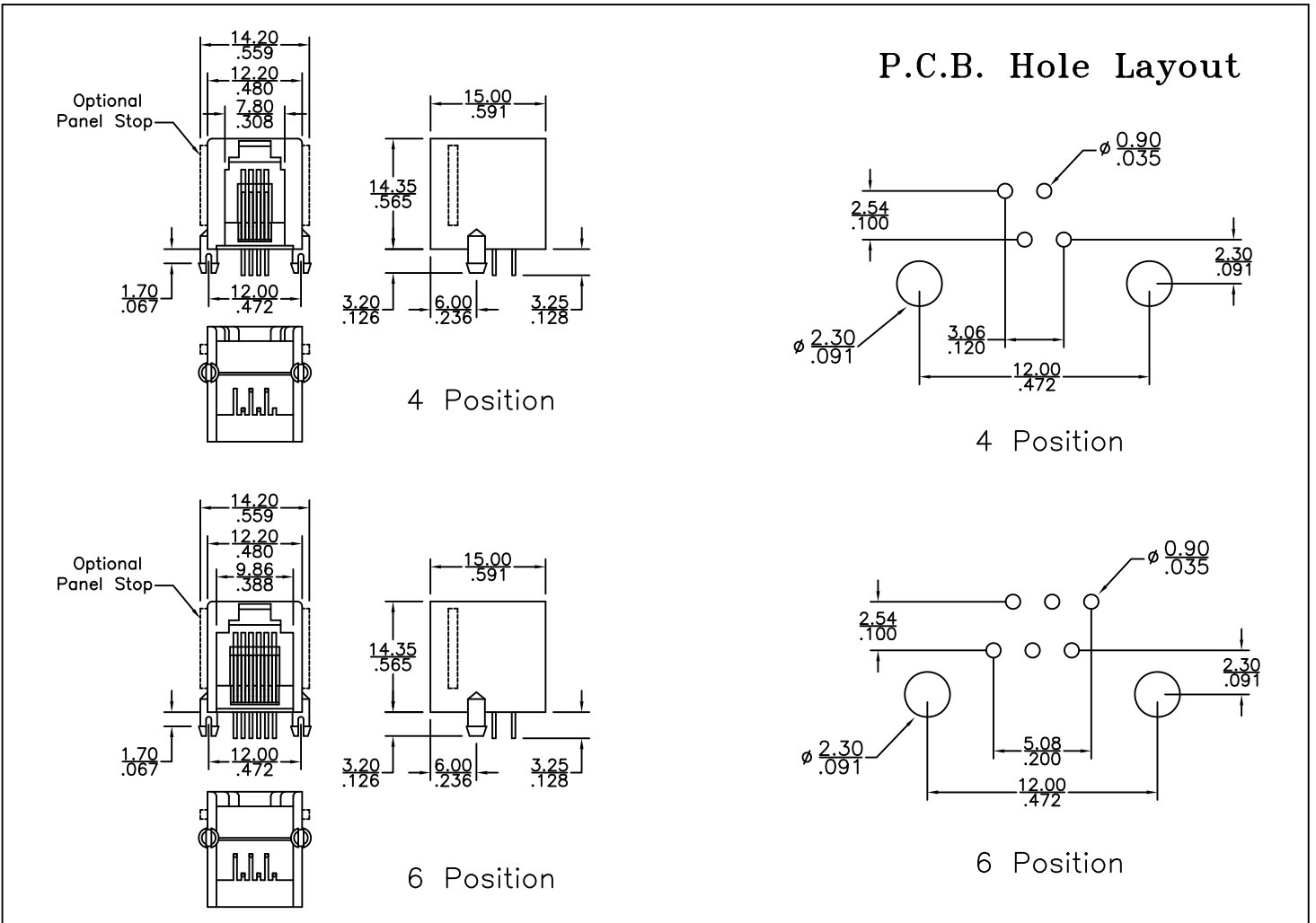
Low Profile Side Entry Modular Jack

3007 Series



Material and Finish:

- * Housing: PBT Polyester UL94V-0 mixed Glass Fiber.
Standard Color: Medium Gray.
- * Contact: 0.45mm(0.018") Diameter Phosphor Bronze.
Gold Plating over Nickel.
- * Cavity conforms to FCC rules and regulations part 68, subpart F.
- * RoHS compliant.



Ordering Information

Series No.	Panel Stop	No. of Position	No. of Contact	Keyed	Contact Plating	Color
3007	F	6	6	2	1	
	With Panel Stop <input type="checkbox"/> F	<input type="checkbox"/> 4	<input type="checkbox"/> 2	w/o key <input type="checkbox"/> 2	6 μ " <input type="checkbox"/> 1	Null: Gray
	w/o Panel Stop <input type="checkbox"/> L	<input type="checkbox"/> 6	<input type="checkbox"/> 4		15 μ " <input type="checkbox"/> 2	B: Black
			<input type="checkbox"/> 6		30 μ " <input type="checkbox"/> 3	
					50 μ " <input type="checkbox"/> 4	
					F μ " <input type="checkbox"/> 0	