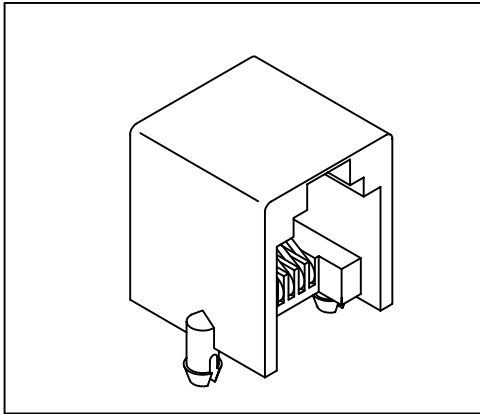


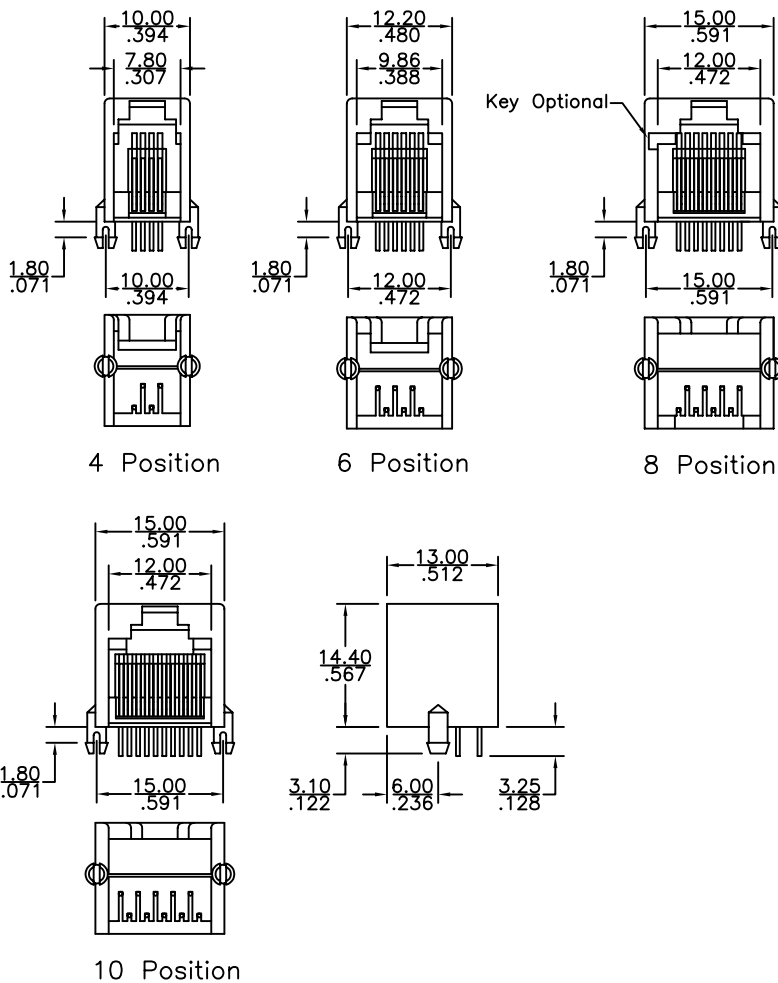
# Mini Low Profile Side Entry Modular Jack

3008 Series

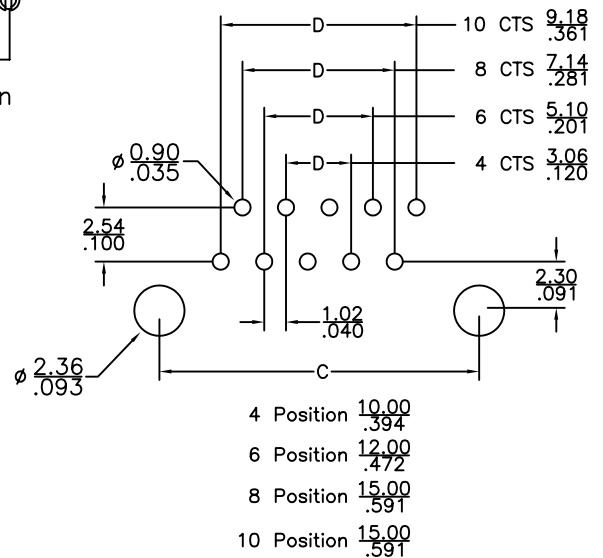


## Material and Finish:

- \* Housing: PBT Polyester UL94V-0 mixed Glass Fiber.  
Standard Color: Gray.
- \* Contact: 0.45mm(0.018") Diameter Phosphor Bronze.  
Gold Plating over Nickel.
- \* Cavity conforms to FCC rules and regulations part 68, subpart F.
- \* RoHS compliant.



## P.C.B. Hole Layout



## Ordering Information

Series No.	No. of Position	No. of Contact	Keyed	Contact Plating	
3008	6	6	2	1	
	4	2	With key 1	6 μ" 1	Null: Gray B: Black
	6	4	w/o key 2	15 μ" 2	
	8	6		30 μ" 3	
	10	8		50 μ" 4	
		10			