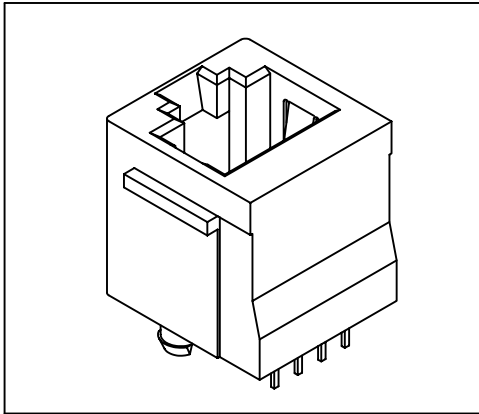


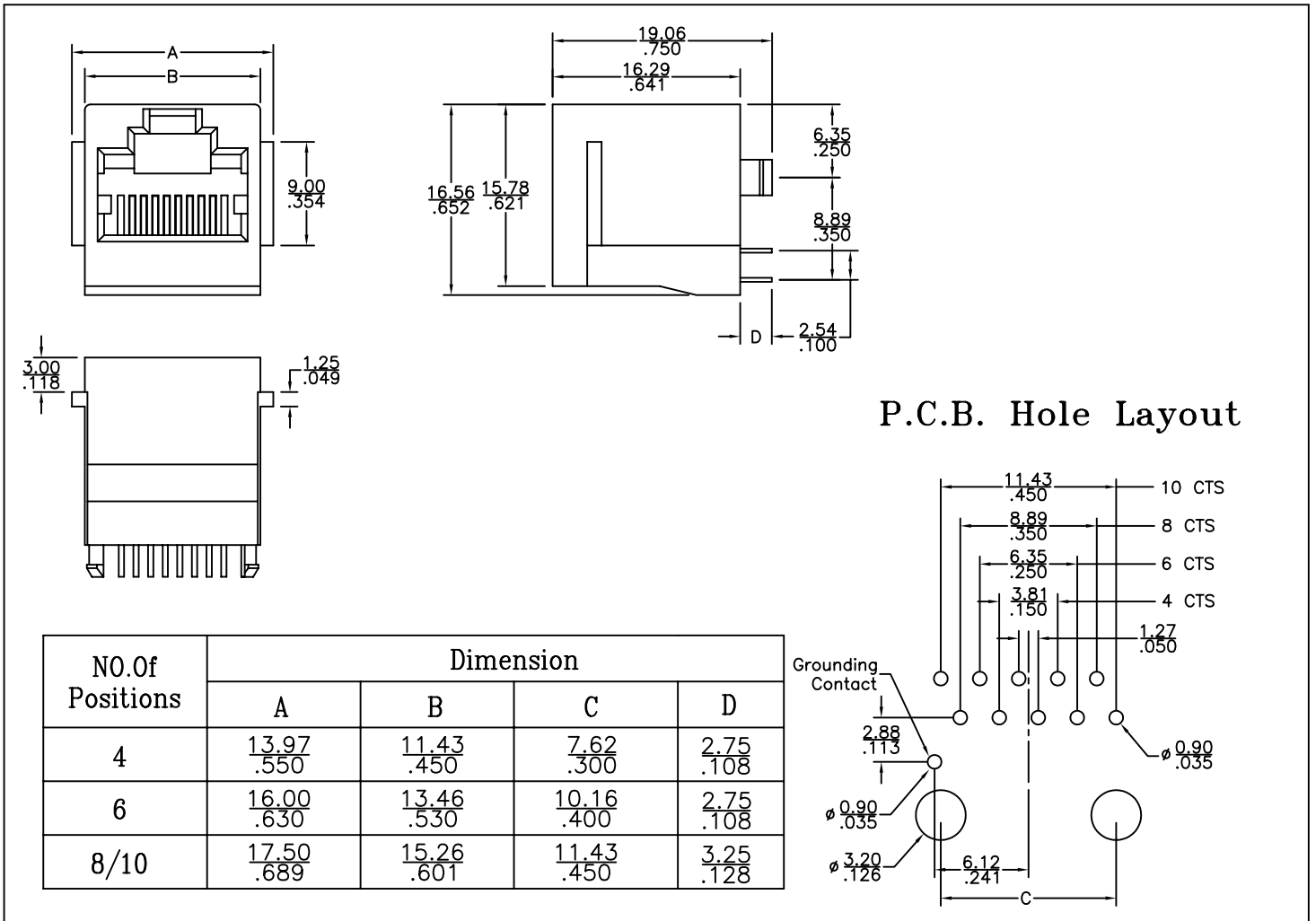
# Top Entry Modular Telephone Jack

3009 Series



## Material and Finish:

- \* Housing: Standard Material: Glass Filled Polyester UL94V-0. Standard Color: Black.
- \* Contact: 0.35mm(0.014") Thickness Phosphor Bronze. Gold Plating over Nickel in Contact. Tin Plating over Nickel in Solder Area.
- \* Cavity conforms to FCC rules and regulations part 68, subpart F.
- \* RoHS compliant.



## Ordering Information

Series No.	Panel Stop	No. of Position	No. of Contact	Keyed	Contact Plating
3009	F	8	8	2	1
	With Panel Stop <input type="checkbox"/> F	<input type="checkbox"/> 4	<input type="checkbox"/> 2 <input type="checkbox"/> 8	w/o key <input type="checkbox"/> 2	6 μ" <input type="checkbox"/> 1
	w/o Panel Stop <input type="checkbox"/> L	<input type="checkbox"/> 6	<input type="checkbox"/> 4 <input type="checkbox"/> 10		15 μ" <input type="checkbox"/> 2
		<input type="checkbox"/> 8	<input type="checkbox"/> 6		30 μ" <input type="checkbox"/> 3
		<input type="checkbox"/> 10			50 μ" <input type="checkbox"/> 4