

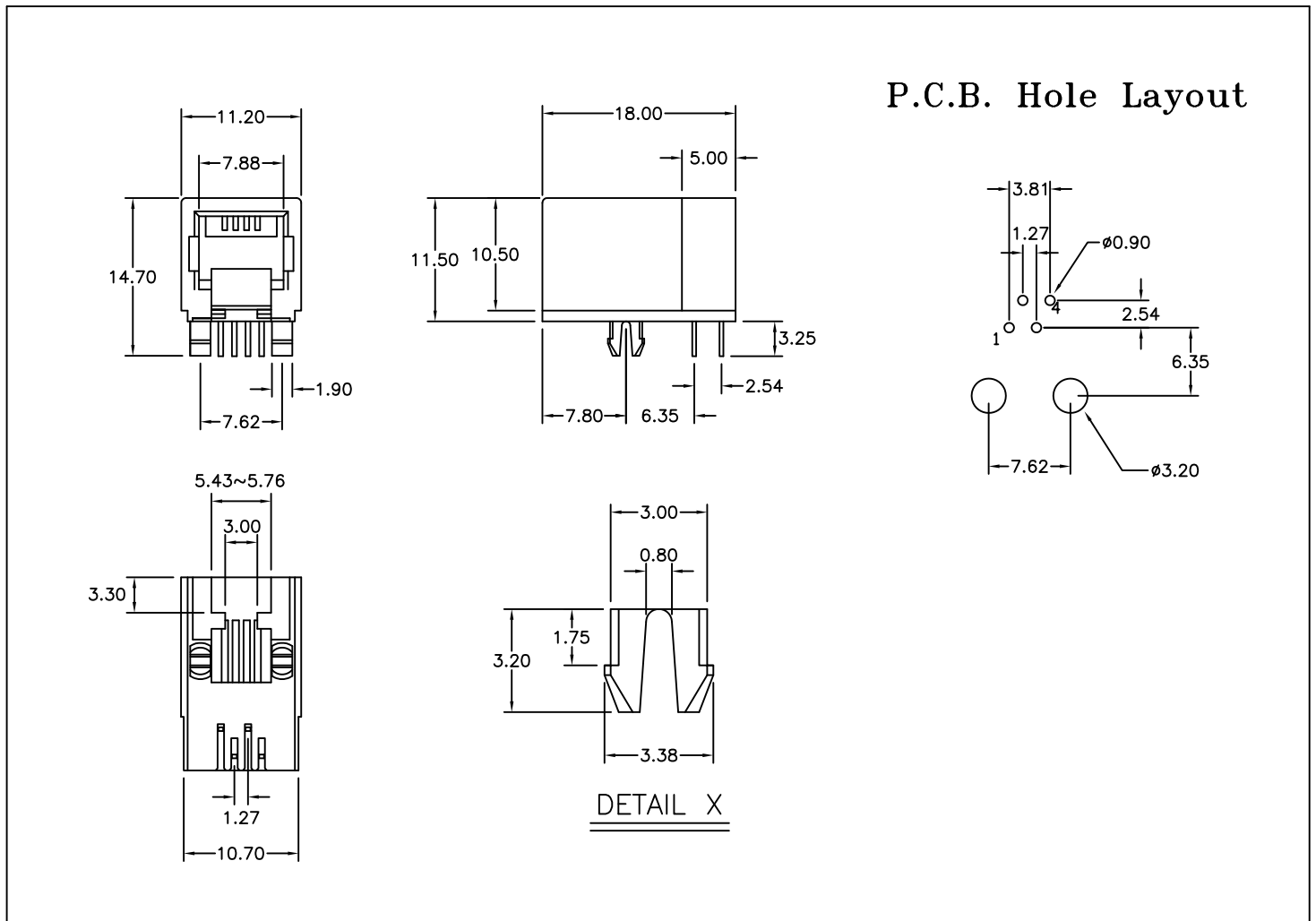
Side Entry Modular Telephone Jack

(Low Profile)

3011D Series

Material and Finish:

- * Housing: PBT Polyester UL94V-0 Mixed Glass Fiber.
Standard Color : Black.
- * Contact: 0.35mm Thick Phosphor Bronze
Plated with Hard Gold and Gold Flash in Solder Area.
- * Cavity confirms to FCC rules and regulations part 68,
subpart F.
- * RoHS compliant.



Ordering Information

Series No.	No. of Position	No. of Contact	No. of Key	Contact Plating
3011D	4	4	2	1
	4	2	w/o Key 2	6 μ" 1
		4		15 μ" 2
				30 μ" 3
				50 μ" 4

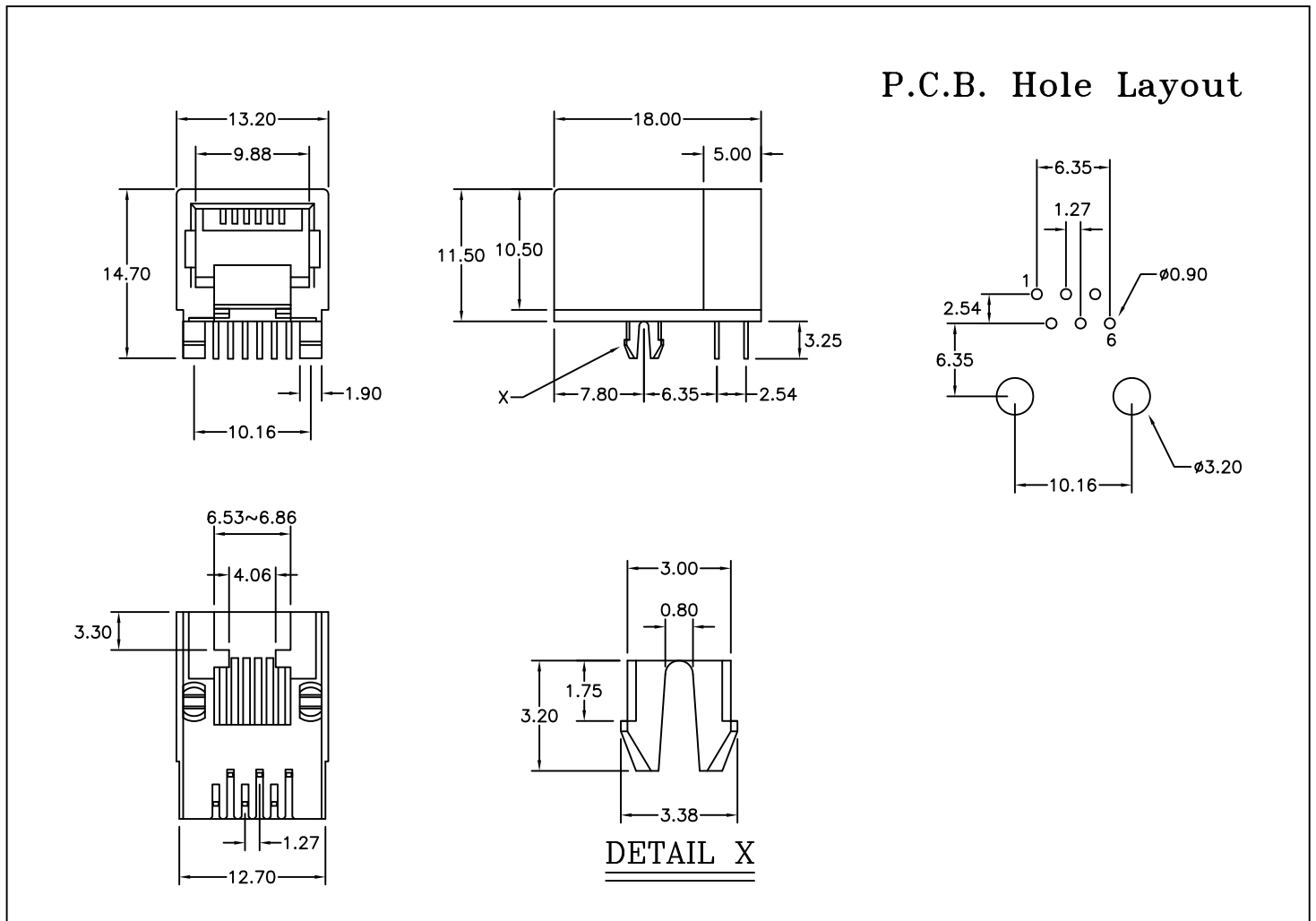
Side Entry Modular Telephone Jack

(Low Profile)

3011D Series

Material and Finish:

- * Housing: PBT Polyester UL94V-0 Mixed Glass Fiber.
Standard Color : Black.
- * Contact: 0.35mm Thick Phosphor Bronze Plated with
Hard Gold and Gold Flash in Solder Area.
- * Cavity conforms to FCC rules and regulations part 68,
subpart F.
- * RoHS compliant.



Ordering Information

Series No.	No. of Position	No. of Contact	No. of Key	Contact Plating
3011D	6	6	2	1
	6	2	w/o Key 2	6 μ " 1
		4		15 μ " 2
		6		30 μ " 3
				50 μ " 4

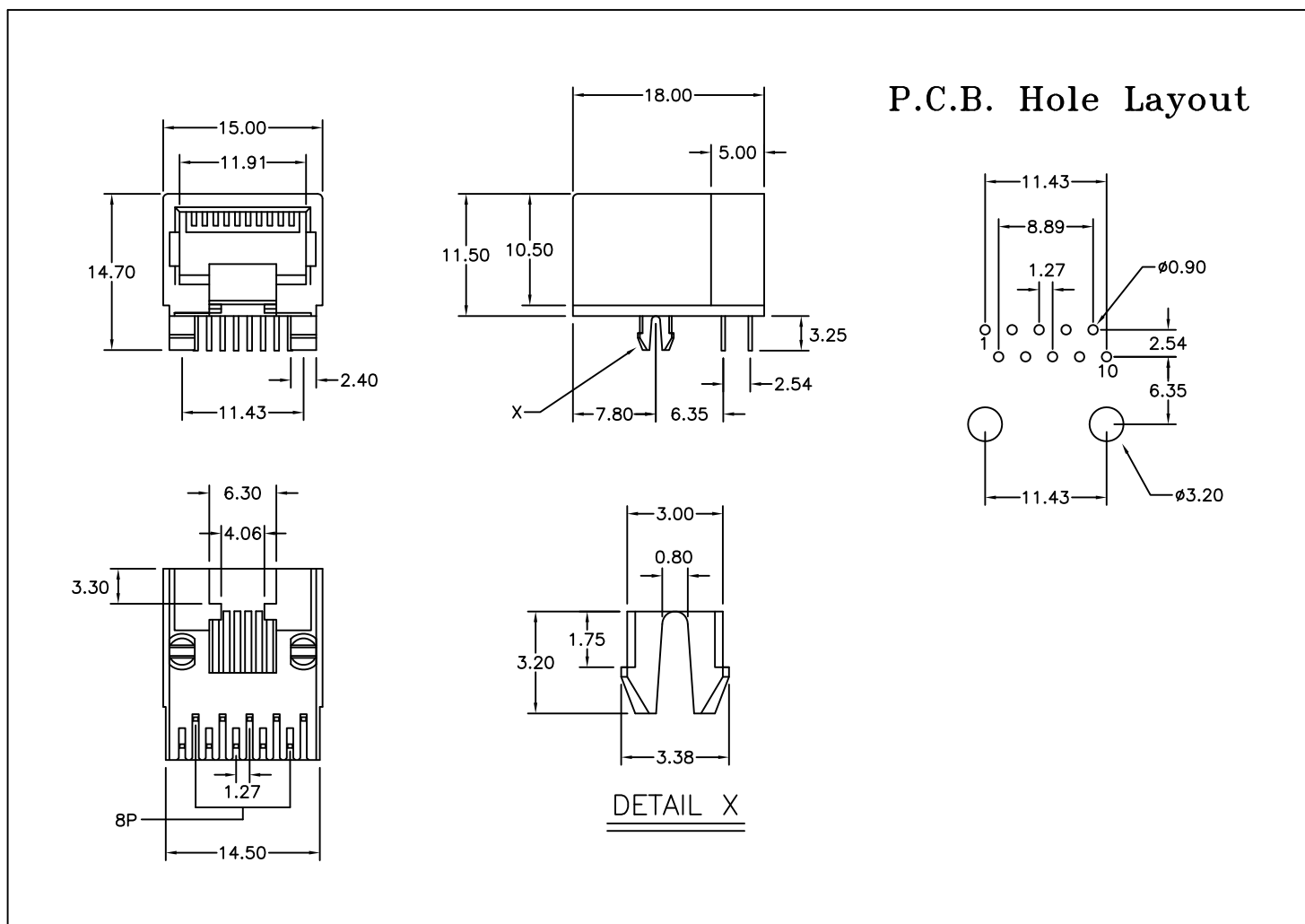
Side Entry Modular Telephone Jack

(Low Profile)

3011D Series

Material and Finish:

- * Housing: PBT Polyester UL94V-0 Mixed Glass Fiber.
Standard Color : Black.
- * Contact: 0.35mm Thick Phosphor Bronze
Plated with Hard Gold and Gold Flash in Solder Area.
- * Cavity confirms to FCC rules and regulations part 68,
subpart F.
- * RoHS compliant.



Ordering Information

Series No.	No. of Position	No. of Contact	No. of Key	Contact Plating
3011D	10	8	2	1
	10	2	w/o Key 2	6 μ " 1
		4		15 μ " 2
		6		30 μ " 3
		8		50 μ " 4
		10		