

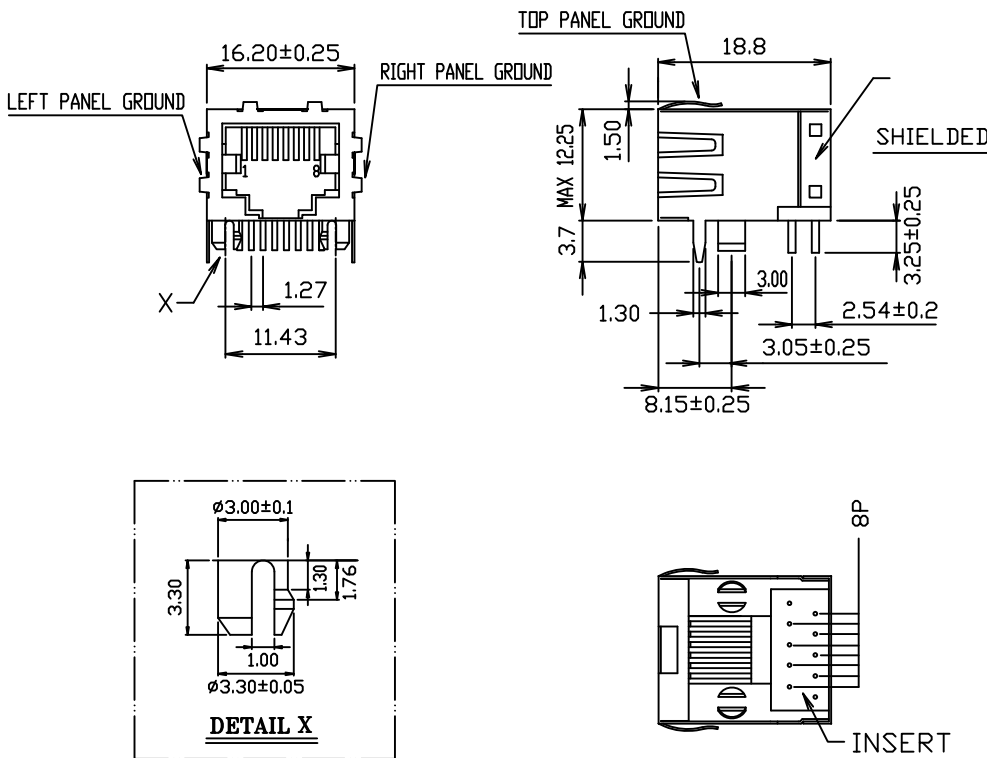
Side Entry Modular Telephone Jack

(Very Low Profile, Shielded, Single Port)

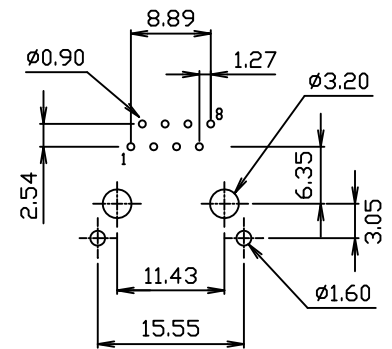
3011S6 Series

Material and Finish:

- * Housing: PBT Polyester UL94V-0 Mixed Glass Fiber.
Standard Color: Black.
- * Contact: 0.35mm Thickness Phosphor Bronze Plated with Hard Gold and Gold Flash in Solder Area.
- * Shielded: 0.20mm Thickness Copper Alloy,
Plated with Nickel.
- * Cavity conforms to FCC rules and regulations part 68,
subpart F.
- * RoHS compliant.



P.C.B. Hole Layout



Ordering Information

Series No.	No. of Position	No. of Contact	Contact Plating	Shielded Pins Type
3011S6	10	8	1	1
	10	2	6 μ"	F Dimension
		4	15 μ"	3.05mm
		6	30 μ"	
		8	50 μ"	
		10		