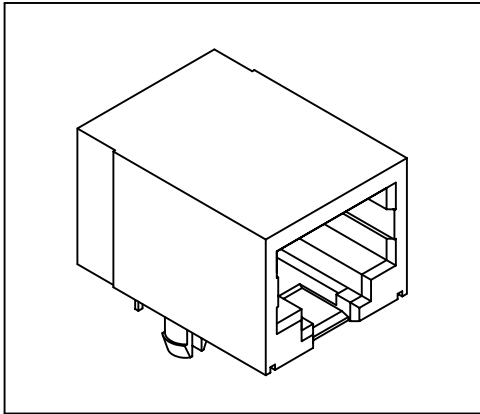


Side Entry Modular Telephone Jack

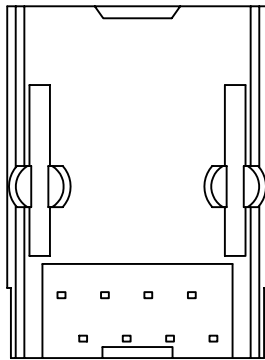
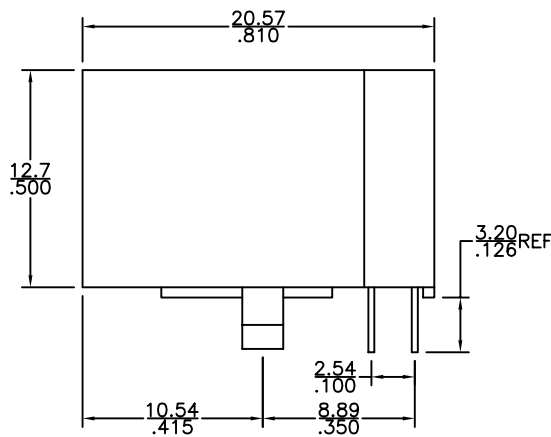
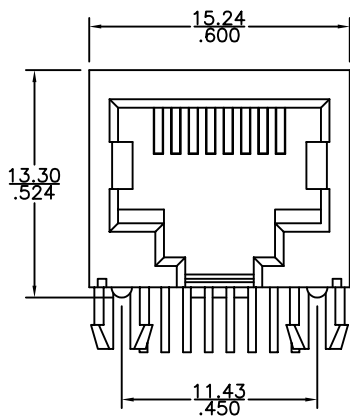
(Low Profile, Single Port)

3012 Series

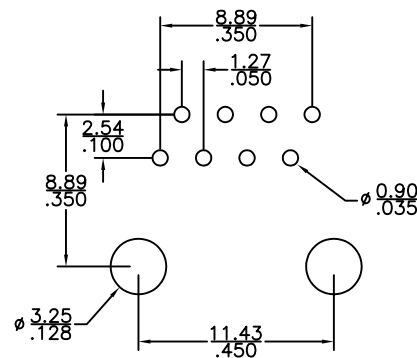


Material and Finish:

- * Housing: Engineering Thermoplastic Flammability Rating UL 94V-0, Standard Color: Black.
- * Contact: 0.35mm(0.014") Thickness Phosphor Bronze.
- * Plating: Gold Plating over Nickel in Contact.
Tin Plating over Nickel in Solder Area.
- * Cavity conforms to FCC rules and regulations part 68, subpart F.
- * RoHS compliant.



P.C.B. Hole Layout



Ordering Information

Series No.	No. of Position	No. of Contact	Keyed	Contact Plating
3012	8	8	01	1
	8	2	1 Port 01	6 μ" 1
		4		15 μ" 2
		6		30 μ" 3
		8		50 μ" 4
		10		