

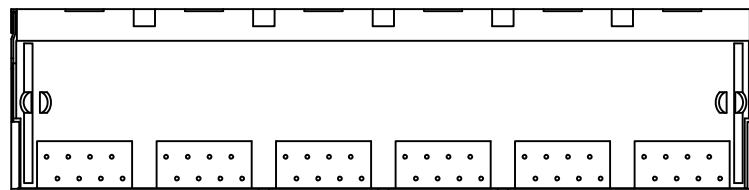
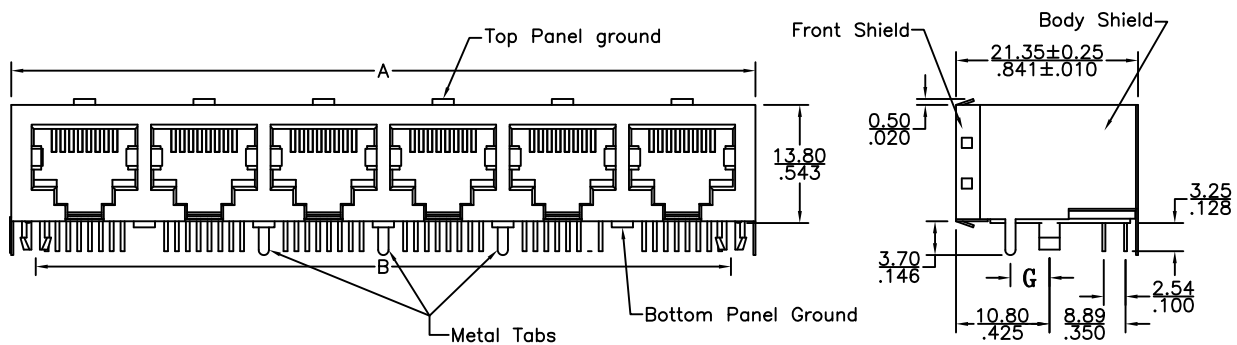
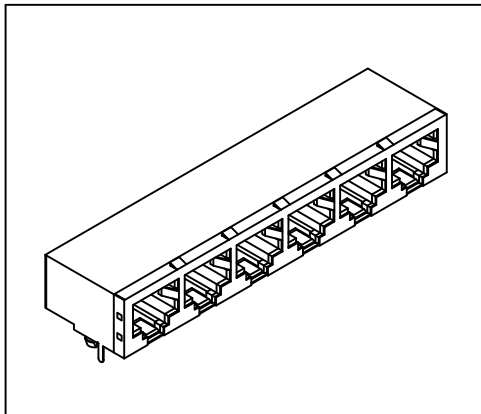
Side Entry Gang Jack

(Low Profile, Shielded, 6 & 8 Ports)

3013S1 Series

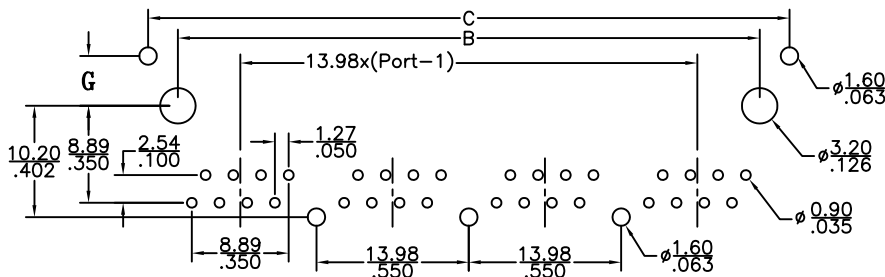
Material and Finish:

- * Housing: PBT Polyester UL94V-0 mixed Glass Fiber.
Standard Color: Black.
- * Contact: 0.45mm Dimension Phosphor Bronze,
Plated with Hard Gold.
- * Shielded: 0.25mm Thickness Copper Alloy,
Plated with Nickel.
- * Cavity conforms to FCC rules and regulations part 68,
subpart F.
- * RoHS compliant.



No. of Ports	A	B	C
6	87.25 3.435	81.30 3.201	86.80 3.417
8	114.80 4.520	109.22 4.300	114.60 4.512

P.C.B. Hole Layout



Ordering Information

Series No.	No. of Position	No. of Contact	No. of Ports	Contact Plating	Panel Ground Type	No. of Tabs	Shielded Pin Type
3013S1	8	8	06	1	2	3	1
	8	2	06	6 μ" 1	Non	No Tab 0	G Dimension
		4	08	15 μ" 2	Top Side	1 Tab 1	3.05mm 1
		6		30 μ" 3	Top & Bottom	3 Tabs 3	3.65mm 2
		8		50 μ" 4	2 Sides		4.57mm 3
				F μ" 0			