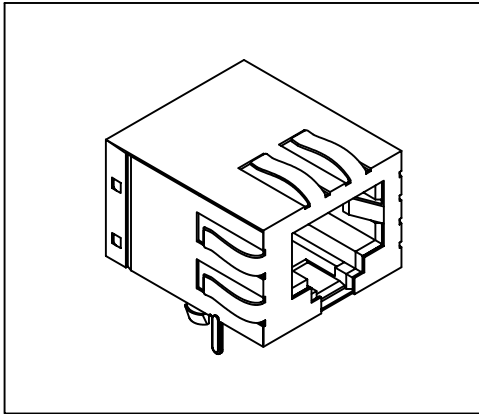


Side Entry Gang Jack

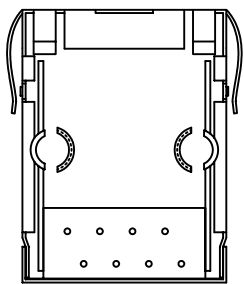
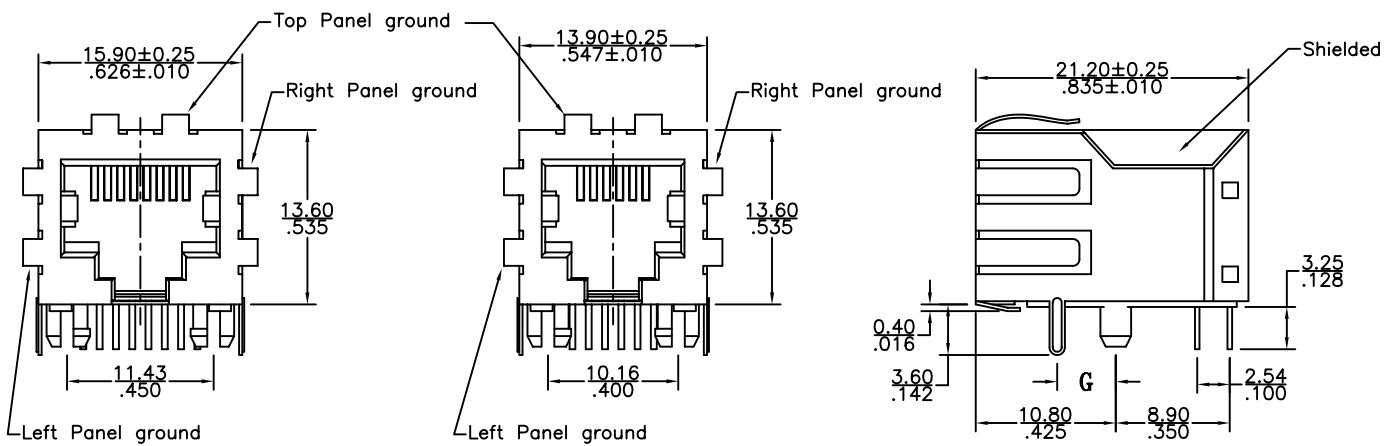
(Single Port, Shielded)

3013S1 Series

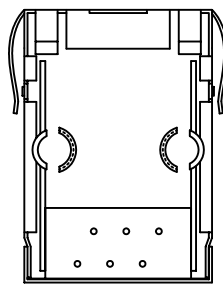


Material and Finish:

- * Housing: PBT Polyester UL94V-0 Mixed Glass Fiber.
Standard Color: Black.
- * Contact: 0.45mm(0.018") Thickness Phosphor Bronze.
Gold Plating over Nickel.
- * Shielded: 0.25mm(0.010") Thickness Copper Alloy,
Plated with Nickel.
- * Cavity conforms to FCC rules and regulations part 68,
subpart F.
- * RoHS compliant.

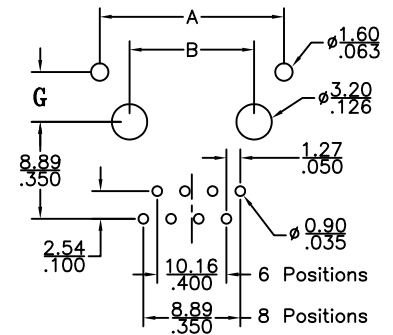


8 Positions



6 Positions

P.C.B. Hole Layout



No. of Ports	A	B
6	13.50 mm / $.531$ inch	10.16 mm / $.400$ inch
8	15.50 mm / $.610$ inch	11.43 mm / $.450$ inch

Ordering Information

Series No.	No. of Position	No. of Contact	No. of Ports	Contact Plating	Panel Ground Type	No. of Tabs	Shielded Pin Type
3013S1	8	8	01	1	3	0	1
	6	2	Single Port	6 μ " 1	Non	No Tab 0	G Dimension
	8	4		15 μ " 2	Top & Right & Left 3 Sides 3		3.05mm 1
		6		30 μ " 3			3.65mm 2
		8		50 μ " 4			4.57mm 3