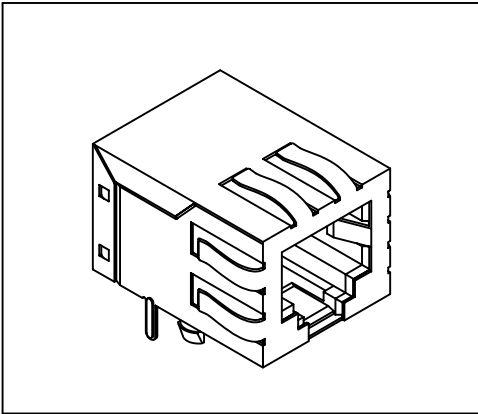


Side Entry Gang Jack

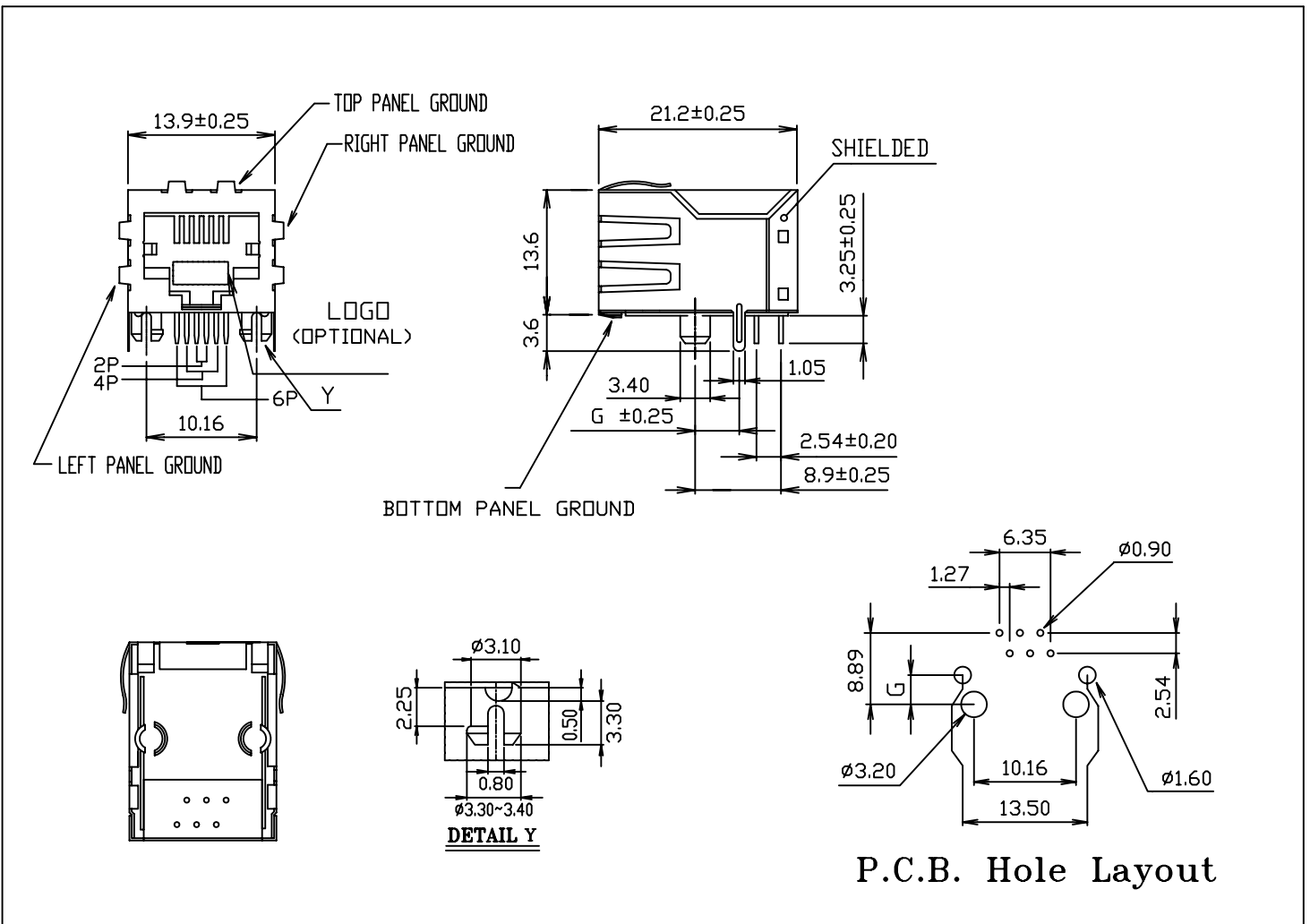
(Single Port, Shielded)

3013S2 Series



Material and Finish:

- * Housing: PBT Polyester UL94V-0 mixed Glass Fiber.
Standard Color: Black.
- * Contact: 0.45mm Dia. Phosphor Bronze.
Gold Plating over Nickel.
- * Shielded: 0.25mm Thickness Copper Alloy,
Plated with Nickel.
- * Cavity conforms to FCC rules and regulations part 68,
subpart F.
- * RoHS compliant.



Ordering Information

Series No.	No. of Position	No. of Contact	No. of Ports	Contact Plating	Panel Ground Type	No. of Tabs	Shielded Pin Type
3013S2	6	4	01	1	3	0	1
	6	2	Single Port	6μ" 1	Non 0	No Tab 0	G Dimension
		4		15μ" 2	Top & Right & Left 3 Sides 3		3.05mm 1
		6		30μ" 3			3.65mm 2
				50μ" 4			