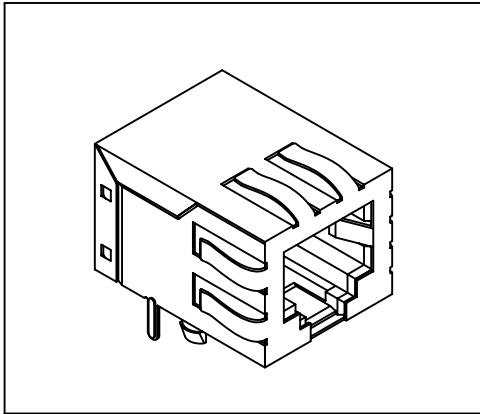


Side Entry Gang Jack

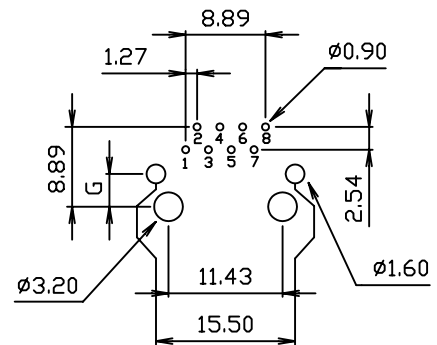
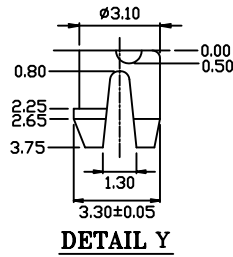
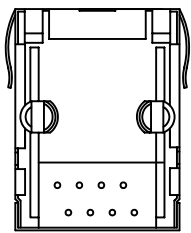
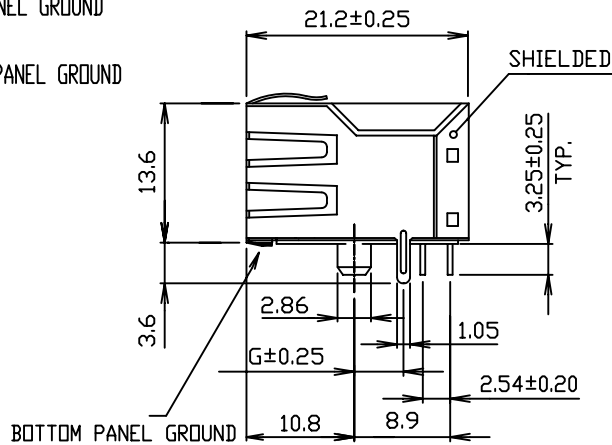
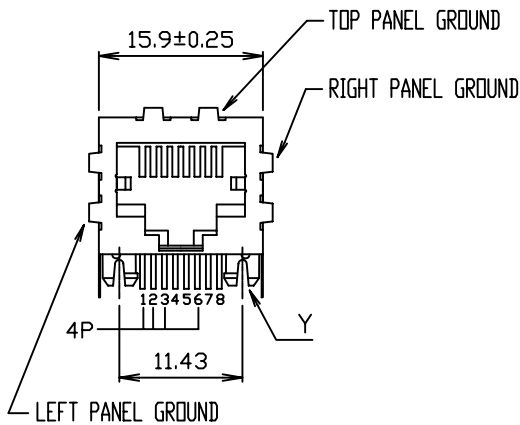
(Single Port, Shielded)

3013S2 Series



Material and Finish:

- * Housing: PBT Polyester UL94V-0 mixed Glass Fiber.
Standard Color: Black.
- * Contact: 0.45mm Dia. Phosphor Bronze.
Gold Plating over Nickel.
- * Shielded: 0.25mm Thickness Copper Alloy,
Plated with Nickel.
- * Cavity conforms to FCC rules and regulations part 68,
subpart F.
- * RoHS compliant.



P.C.B. Hole Layout

Ordering Information

Series No.	No. of Position	No. of Contact	No. of Ports	Contact Plating	Panel Ground Type	No. of Tabs	Shielded Pin Type
3013S2	8	8	01	1	3	0	1
	8	2 4 6 8	Single Port	6µ" 1 15µ" 2 30µ" 3 50µ" 4	Non 0 Top & Right & Left 3 Sides 3	No Tab 0	G Dimension 3.05mm 1 3.65mm 2