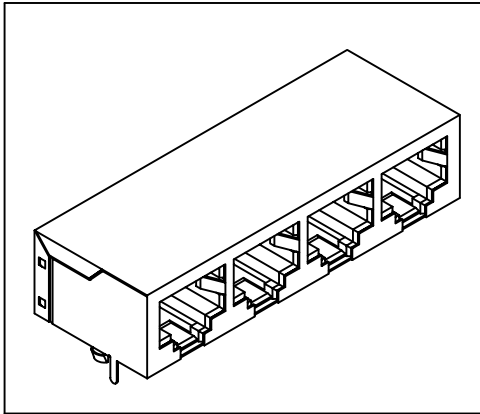


Side Entry Gang Jack

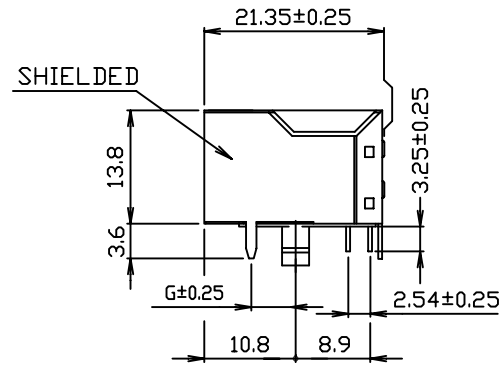
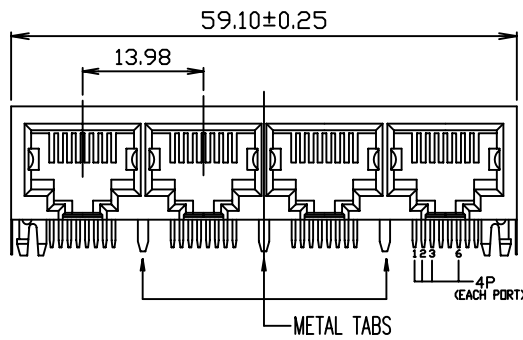
(Low Profile, Shielded, 4 Ports)

3013S5 Series

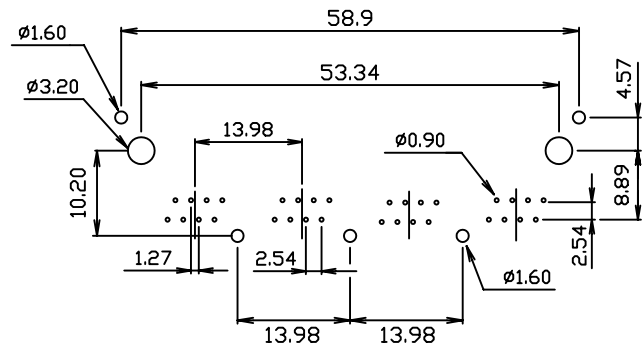
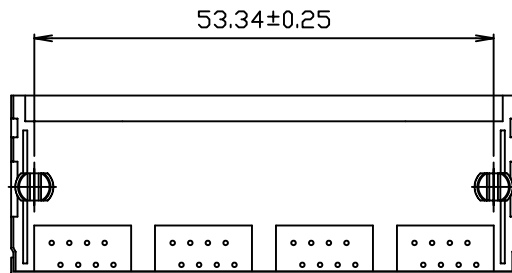


Material and Finish:

- * Housing: PBT Polyester UL94V-0 Mixed Glass Fiber. Standard Color: Black.
- * Contact: 0.35mm Thick Phos-Bronze Plated with Hard Gold and Gold Flash in Solder Area.
- * Shielded: 0.25mm Thickness Copper Alloy, Plated with Nickel.
- * Cavity conforms to FCC rules and regulations part 68, subpart F.
- * RoHS compliant.



P.C.B. Hole Layout



Ordering Information

Series No.	No. of Position	No. of Contact	No. of Ports	Contact Plating	Panel Ground Type	No. of Tabs	Shielded Pin Type
3013S5	8	8	04	1	0	3	3
	8	2	04	6 μ"	Non	No Tab	G Dimension
		4		15 μ"		1 Tab	3.05mm
		6		30 μ"		3 Tabs	3.65mm
		8		50 μ"			4.57mm
				F μ"			