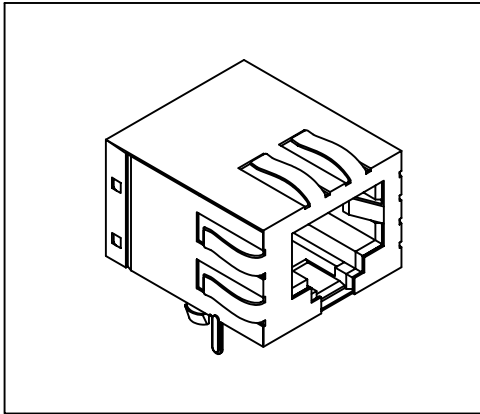


Side Entry Gang Jack

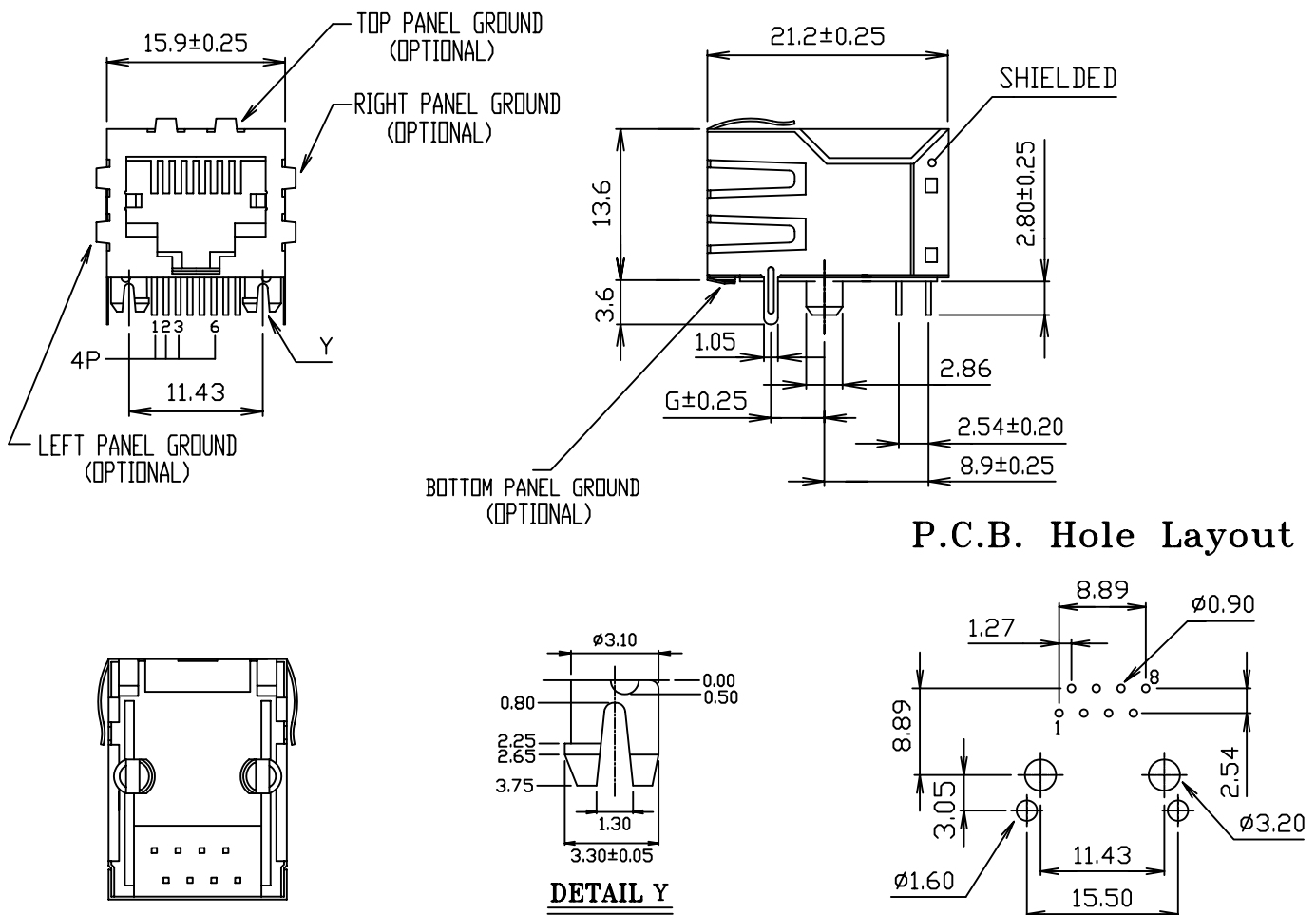
(Single Port, Shielded)

3013S5 Series



Material and Finish:

- * Housing: PBT Polyester UL94V-0 Mixed Glass Fiber.
Standard Color: Black.
- * Contact: 0.35mm Thick Phos-Bronze Plated with Hard Gold and Gold Flash in Solder Area.
- * Shielded: 0.25mm Thickness Copper Alloy, Plated with Nickel.
- * Cavity conforms to FCC rules and regulations part 68, subpart F.
- * RoHS compliant.



Ordering Information

Series No.	No. of Position	No. of Contact	No. of Ports	Contact Plating	Panel Ground Type	No. of Tabs	Shielded Pin Type
3013S5	8	8	01	1	3	0	1
	8	2	Single Port	6 μ" 1	Non	No Tab 0	G Dimension
		4		15 μ" 2	Top & Right & Left 3 Sides 3		3.05mm 1
		6		30 μ" 3			3.65mm 2
		8		50 μ" 4			4.57mm 3
				F μ" 0			