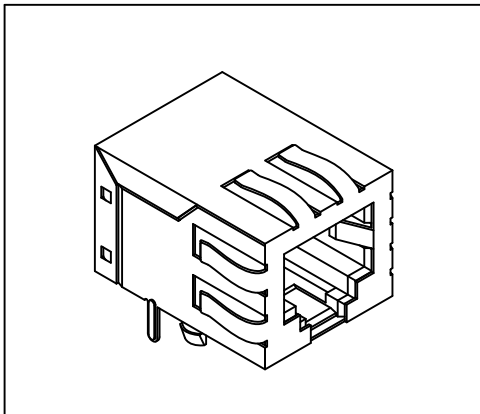


# Side Entry Gang Jack

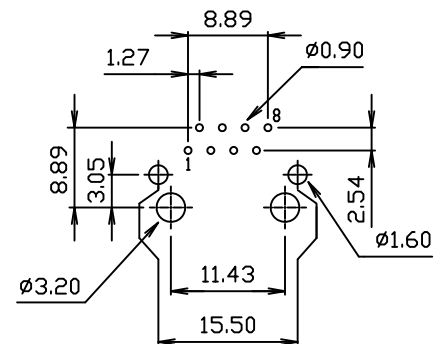
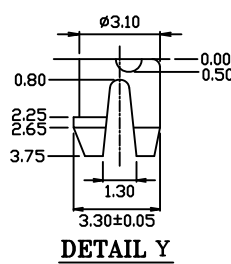
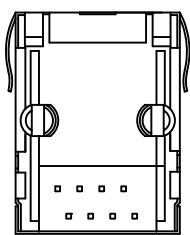
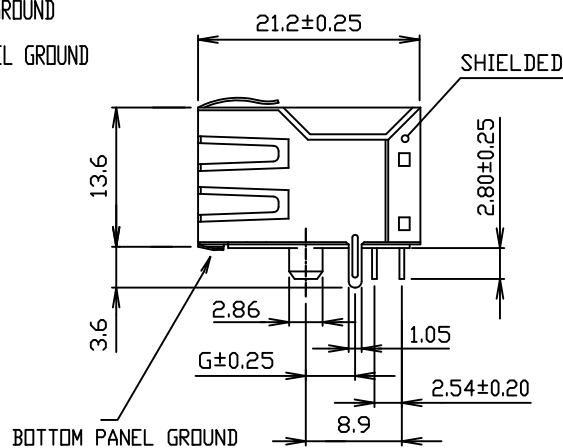
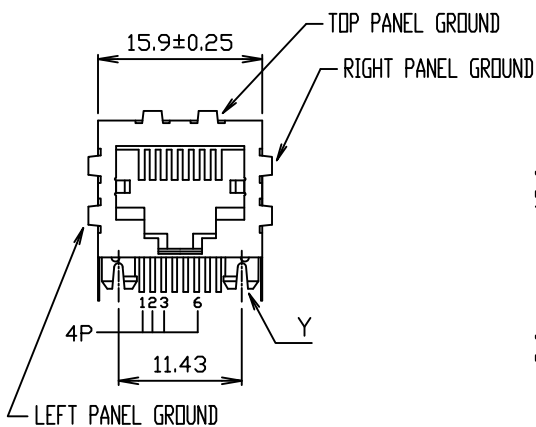
(Single Port, Shielded)

3013S6 Series



## Material and Finish:

- \* Housing: PBT Polyester UL94V-0 mixed Glass Fiber.  
Standard Color: Black.
- \* Contact: 0.35mm Thick Phos-Bronze Plated with Hard Gold and Gold Flash in Solder Area.
- \* Shielded: 0.25mm Thickness Copper Alloy, Plated with Nickel.
- \* Cavity conforms to FCC rules and regulations part 68, subpart F.
- \* RoHS compliant.



P.C.B. Hole Layout

## Ordering Information

Series No.	No. of Position	No. of Contact	No. of Ports	Contact Plating	Panel Ground Type	No. of Tabs	Shielded Pin Type
3013S6	8	8	01	1	3	0	1
	8	2 4 6 8	Single Port	6µ" 1 15µ" 2 30µ" 3 50µ" 4 Fµ" 0	Non 0 Top Side 1 Top & Right & Left 3 Sides 3	No Tab 0	G Dimension 3.05mm 1 3.65mm 2