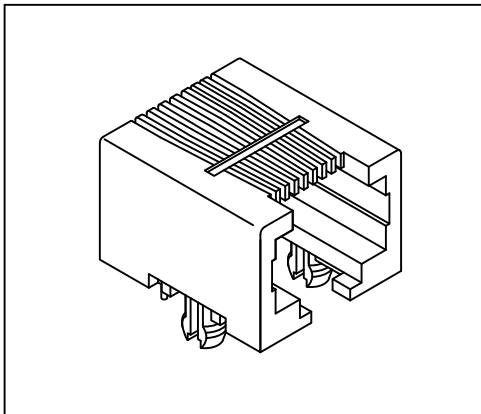


Side Entry Modular Telephone Jack

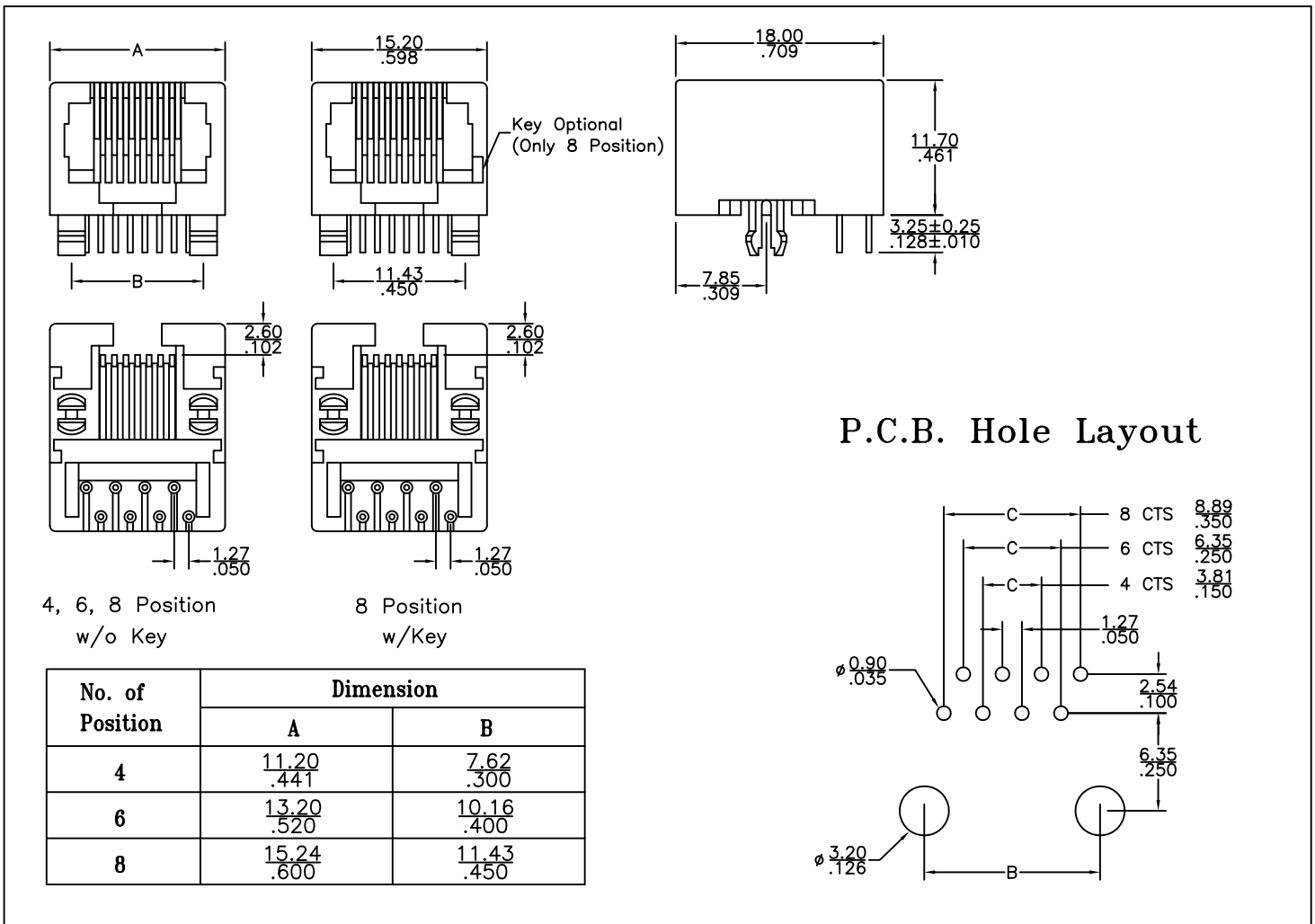
(Low Profile)

3014 Series



Material and Finish:

- * Housing: PBT Polyester UL94V-0 Mixed Glass Fiber.
Standard Color : Black.
- * Contact: 0.45mm(0.018") Diameter Phosphor Bronze.
Gold Plating over Nickel.
- * Cavity conforms to FCC rules and regulations part 68,
subpart F.
- * RoHS compliant.



Ordering Information

Series No.	No. of Position	No. of Contact	No. of Key	Contact Plating	
3014	8	8	2	1	
	4	2	with Key 1	6 μ" 1	Black <input type="checkbox"/>
	6	4	w/o Key 2	15 μ" 2	Gray <input type="checkbox"/>
	8	6		30 μ" 3	
		8		50 μ" 4	
				F μ" 0	