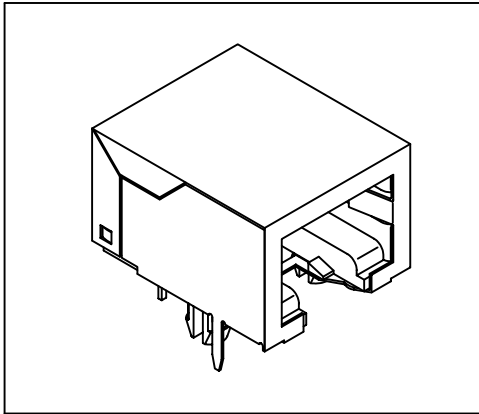


Side Entry Very Low Profile P.C.Board Jack (Shielded)

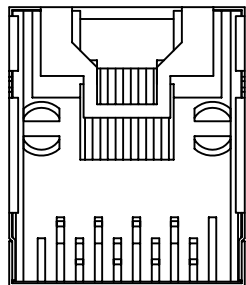
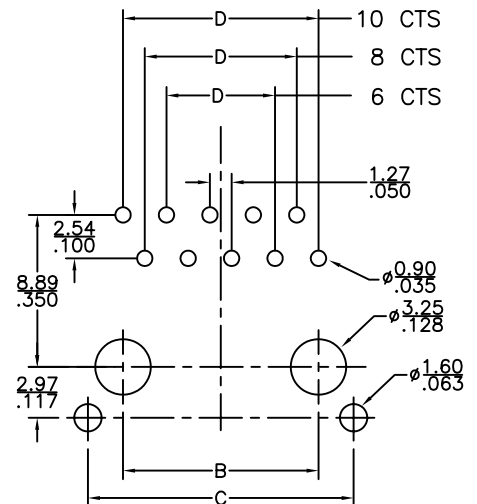
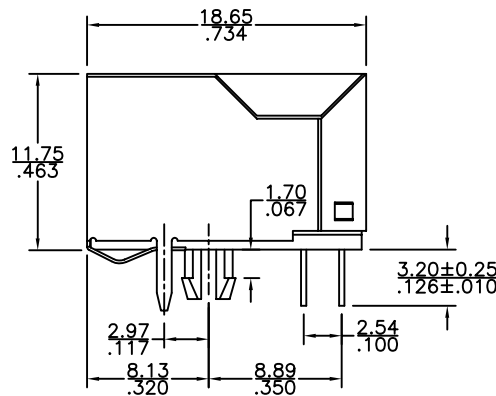
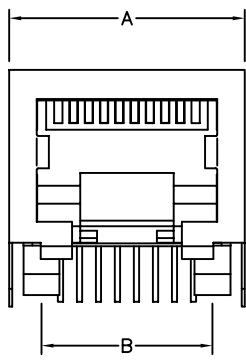
3014CS Series



Material and Finish:

- * Plastic Housing: Engineering Thermoplastic
Flammability Rating UL 94V-0.
- * Contact: Phosphor Bronze
Plating: Gold Plating over Nickel in Contact.
Tin Plating over Nickel in Solder Area.
- * Shielded: Brass Plating Nickel Alloy.
- * RoHS compliant.

P.C.B. Hole Layout



No. of Position	Dimension			
	A	B	C	D
6	$\frac{13.56}{.534}$	$\frac{10.16}{.400}$	$\frac{13.57}{.534}$	$\frac{6.35}{.250}$
8	$\frac{15.74}{.620}$	$\frac{11.43}{.450}$	$\frac{15.54}{.612}$	$\frac{8.89}{.350}$
10	$\frac{15.74}{.620}$	$\frac{11.43}{.450}$	$\frac{15.54}{.612}$	$\frac{11.43}{.450}$

Ordering Information

Series No.	No. of Position	No. of Contact	Keyed	Contact Plating
3014CS	8	8	2	1
	6	2	with key 1	6 μ " 1
	8	4	w/o key 2	15 μ " 2
	10	6		30 μ " 3
		8		50 μ " 4
		10		