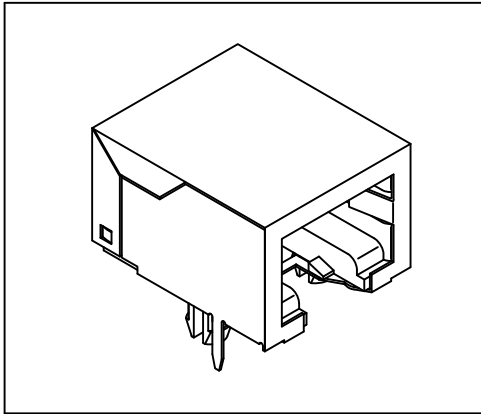


# Side Entry S.M.T. Type Modular Jack (Shielded)

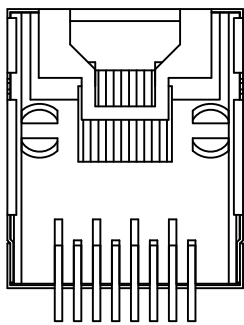
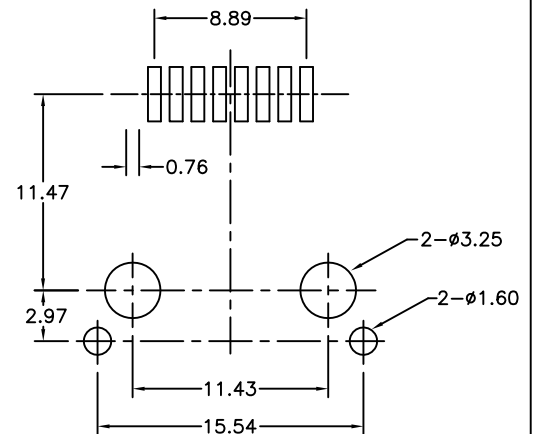
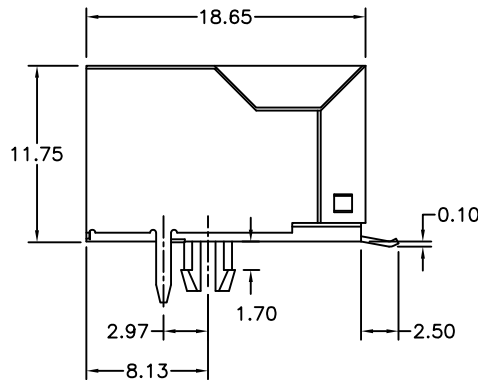
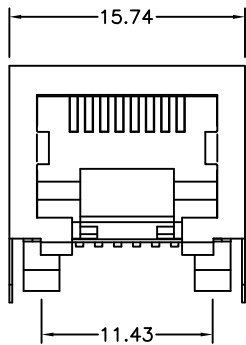
3014JS Series



## Material and Finish:

- \* Housing: High Temp Thermoplastic Flammability Rating UL 94V-0.  
Standard Color: Black.
- \* Contact: Phosphor Bronze.  
Gold Plating over Nickel in contact.  
Tin Plating over Nickel in Solder Area.
- \* Shielded: Brass plating Nickel alloy.
- \* RoHS compliant.

## P.C.B. Hole Layout



## Ordering Information

Series No.	No. of Position	No. of Contact	Keyed	Contact Plating
3014JS	8	8	2	1
	8	8	w/o key 2	6 $\mu$ " 1
				15 $\mu$ " 2
				30 $\mu$ " 3
				50 $\mu$ " 4