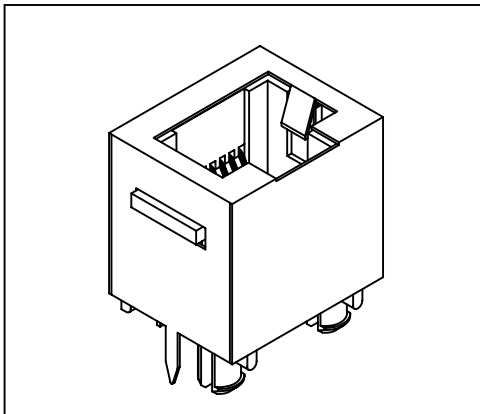


Top Entry Modular Telephone Jack

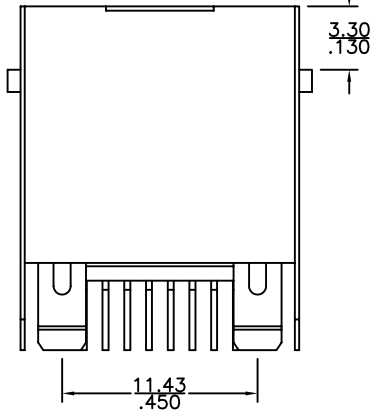
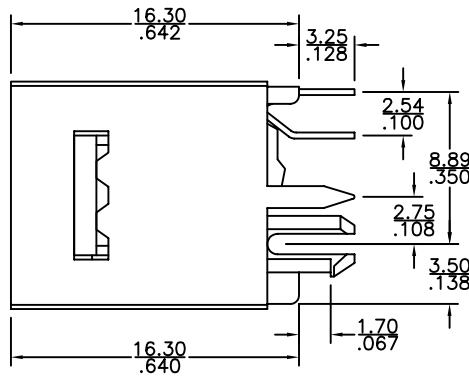
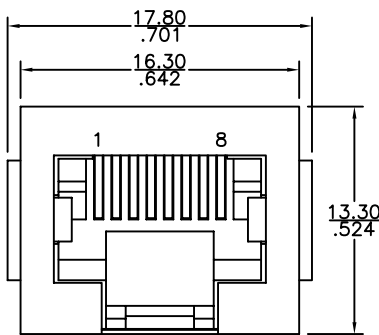
(Shielded)

3017S Series

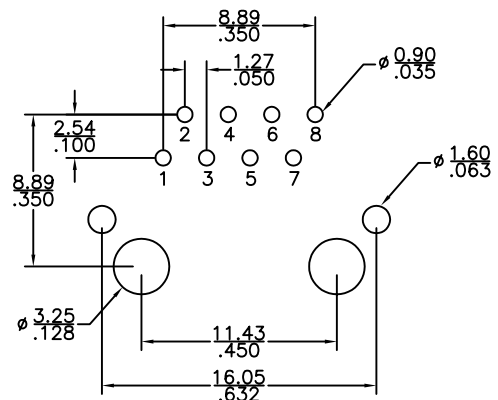


Material and Finish:

- * Plastic Housing: Engineering Thermoplastic
Flammability Rating UL 94V-0.
Standard Color: Black
- * Contact: Phosphor Bronze
Plating: Gold Plating over Nickel in Contact.
Tin Plating over Nickel in Solder Area.
- * Shielded: Brass with Nickel Plated.
- * RoHS compliant.



P.C.B. Hole Layout Top View



Ordering Information

Series No.	Panel Stop	No. of Position	No. of Contact	Keyed	Contact Plating
3017S	F	8	8	2	1
	With Panel Stop <input type="checkbox"/> F	<input type="checkbox"/> 8	<input type="checkbox"/> 2 <input type="checkbox"/> 4 <input type="checkbox"/> 6 <input type="checkbox"/> 8	with key <input type="checkbox"/> 1 w/o key <input type="checkbox"/> 2	6 μ " <input type="checkbox"/> 1 15 μ " <input type="checkbox"/> 2 30 μ " <input type="checkbox"/> 3 50 μ " <input type="checkbox"/> 4