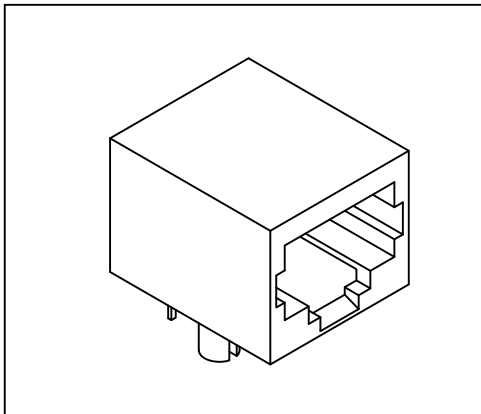


Side Entry Modular Telephone Jack

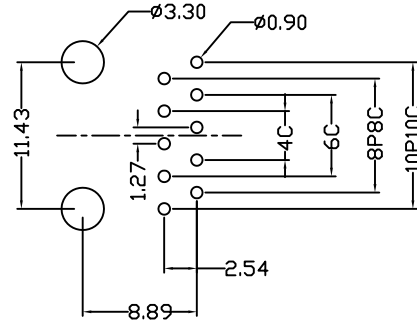
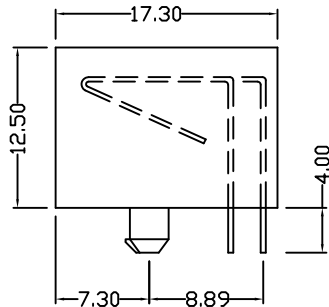
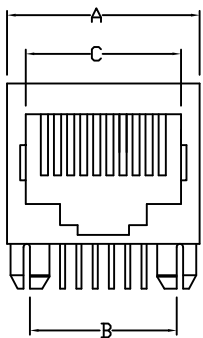
(Unshielded)

3018 Series

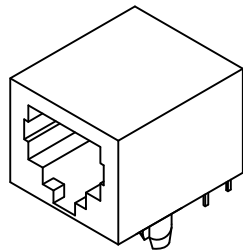
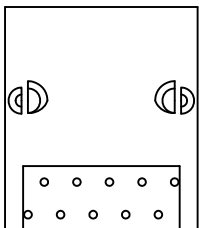


Material and Finish:

- * Housing: PBT UL94V-0.
Standard Color : Black.
- * Contact: 0.35mm Thickness Phosphor Bronze,
Gold Plated over Nickel on contact area,
Tin Plated over Nickel on Solder Area.
- * Cavity conforms to FCC rules and regulations part 68,
subpart F.
- * RoHS compliant.



PCB LAYOUT / TOP VIEW



position	contact	A	B	C
4P	4C	15.00	11.43	8.00
6P	2C/4C/6C	15.00	11.43	9.90
8P	4C/6C/8C	15.00	11.43	11.90
10P	10C	15.00	11.43	11.90

Ordering Information

Series No.	No. of Position	No. of Contact	Keyed	Contact Plating
3018	8	8	2	1
	4	2	w/o key 2	6 μ" 1
	6	4		15 μ" 2
	8	6		30 μ" 3
	10	8		50 μ" 4
		10		F μ" 0