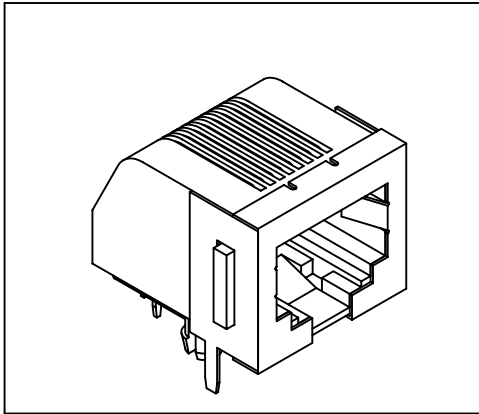


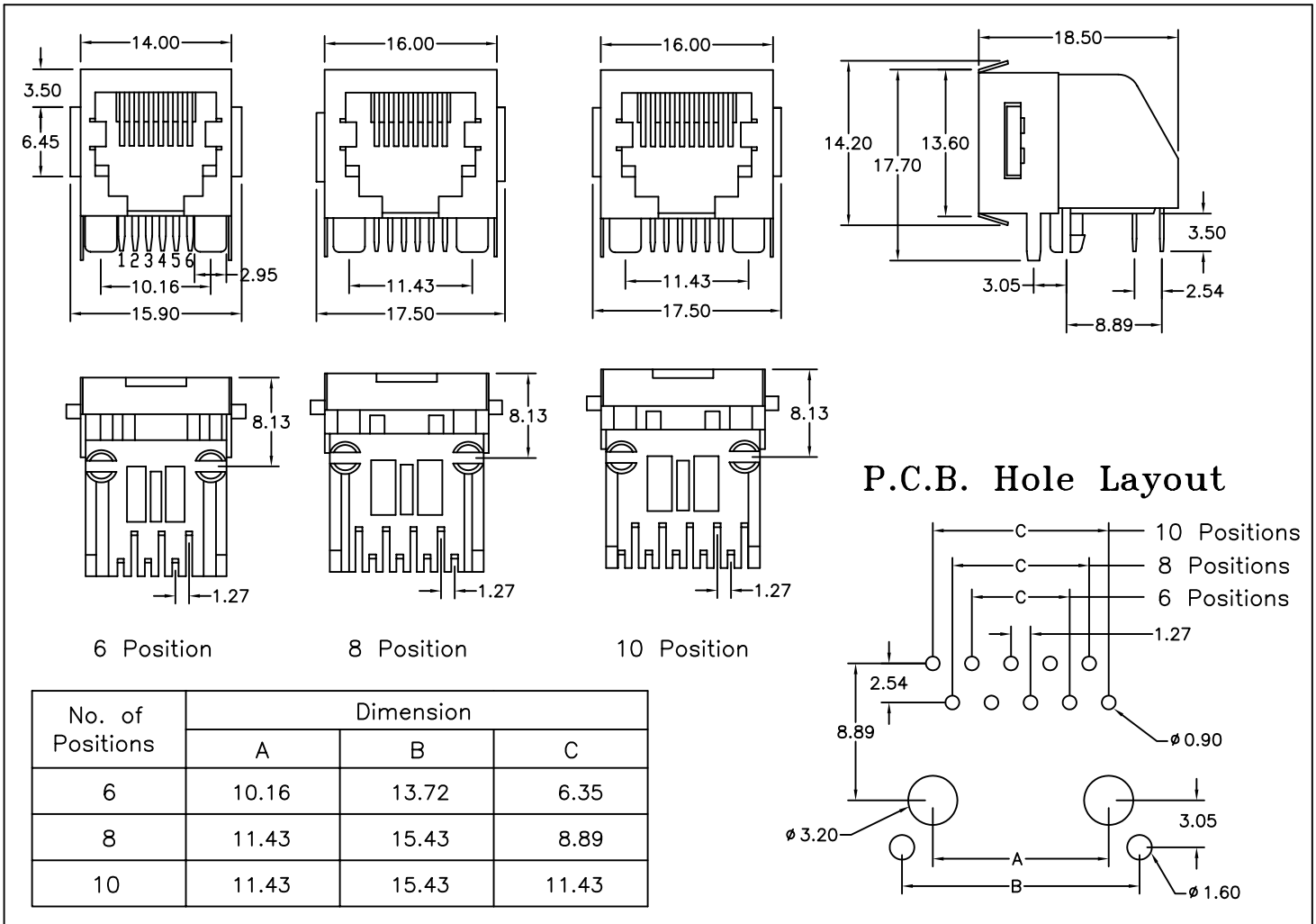
# Side Entry Low Profile P.C.Board Jack (Panel Grounding Shielded)

3019P Series

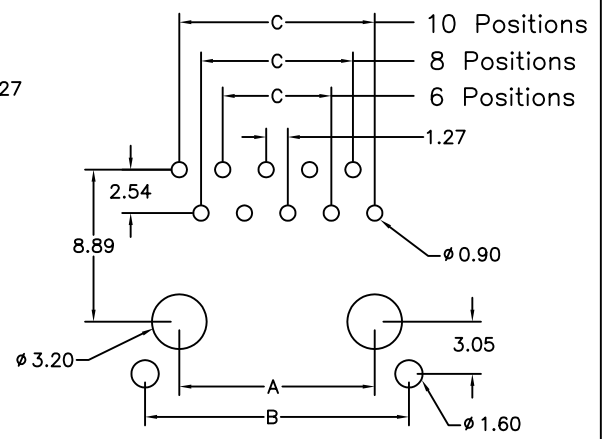


## Material and Finish:

- \* Housing: PBT Polyester UL94V-0 mixed Glass Fiber.  
Standard Color: Black.
- \* Contact: 0.35mm(0.014") Thickness Phosphor Bronze.  
Gold Plating over Nickel.  
Gold Flash in Solder Area.
- \* Shielded: 0.25mm(0.010") Thickness Copper Alloy  
Plated with Nickel.
- \* Cavity conforms to FCC rules and regulations part 68,  
subpart F.
- \* RoHS compliant.



## P.C.B. Hole Layout



## Ordering Information

Series No.	No. of Position	No. of Contact	Keyed	Contact Plating
3019P	8	8	2	1
	6	4	with key 1	6 μ" 1
	8	6	w/o key 2	15 μ" 2
	10	8		30 μ" 3
		10		50 μ" 4