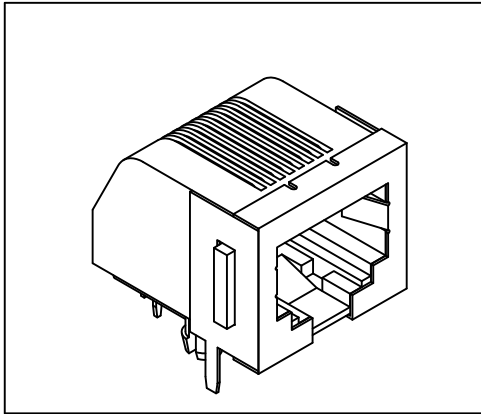


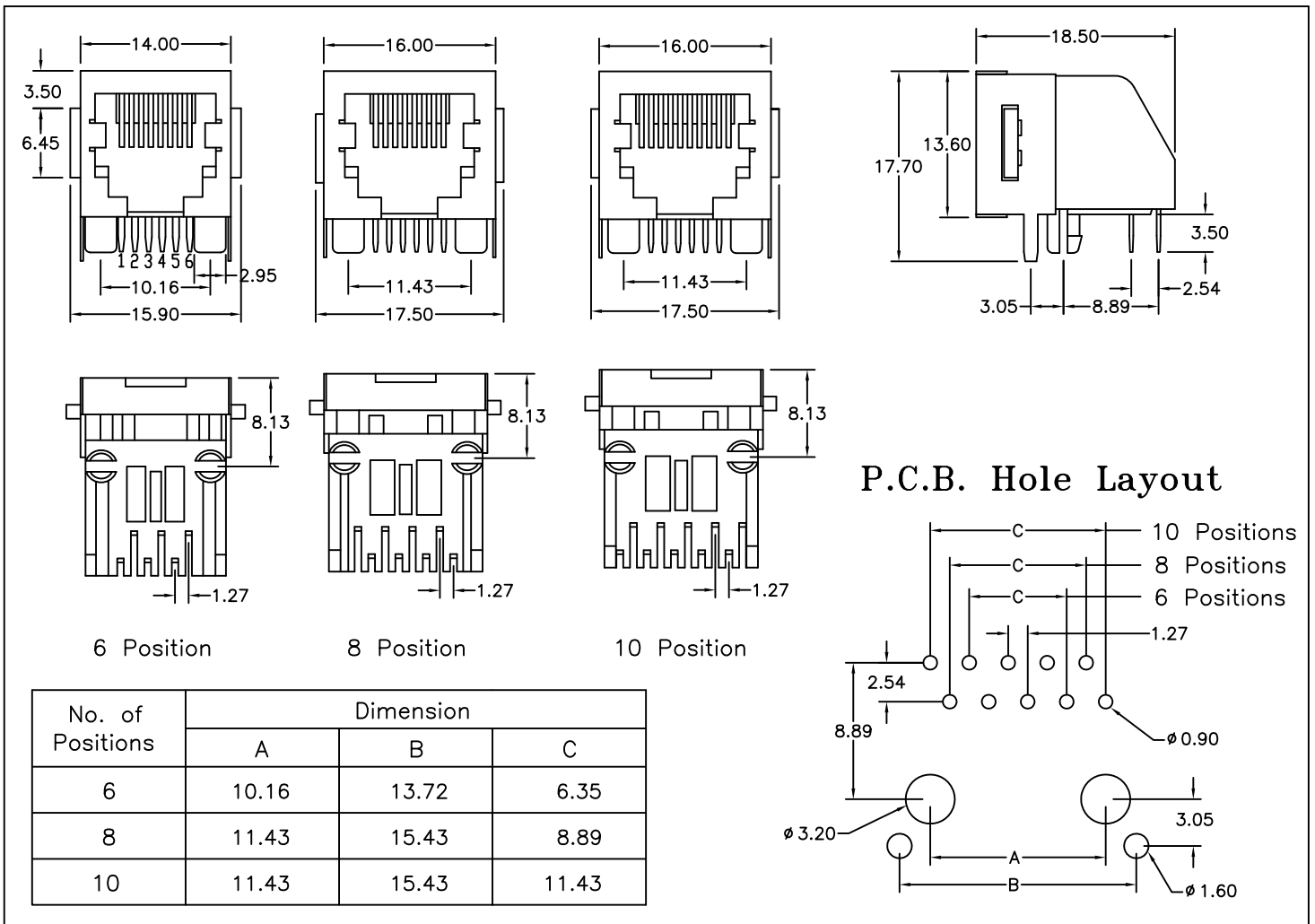
Side Entry Low Profile P.C.Board Jack (Shielded)

3019S Series



Material and Finish:

- * Housing: PBT Polyester UL94V-0 mixed Glass Fiber.
Standard Color: Black.
- * Contact: 0.35mm(0.014") Thickness Phosphor Bronze.
Gold Plating over Nickel.
Gold Flash in Solder Area.
- * Shielded: 0.25mm(0.010") Thickness Copper Alloy
Plated with Nickel.
- * Cavity conforms to FCC rules and regulations part 68,
subpart F.
- * RoHS compliant.



Ordering Information

Series No.	No. of Position	No. of Contact	Keyed	Contact Plating
3019S	8	8	2	1
	6	4	with key 1	6 μ" 1
	8	6	w/o key 2	15 μ" 2
	10	8		30 μ" 3
		10		50 μ" 4
				F μ" 0